

Emergency Valve

Stainless Steel

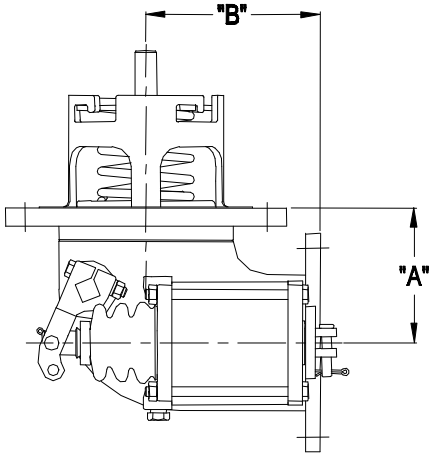
90° ELBOW

- Air or Cable Operated
- Tapered Seat
- Teflon Encapsulated Seals

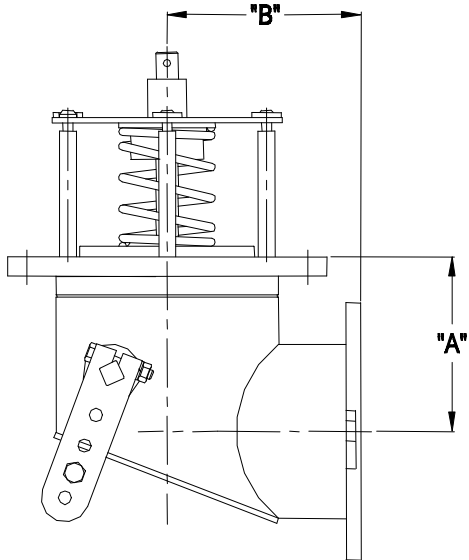
Betts Stainless Steel Emergency Valves are equipped with Teflon encapsulated O-ring seals which are compatible with a wide range of products. The tapered seat is self-cleaning to lessen the possibility of seat damage due to foreign objects. The stuffing box features two O-ring seals to provide positive sealing.

Air operated valves are provided with an external air cylinder to help prevent gasoline or other products from contaminating the air supply. The air cylinder is hard-coated aluminum with a polished stainless steel shaft. Cylinders have 1/8" NPT port for air connection and are supplied with a fusible plug installed.

Left-hand valves are available with air cylinder or cable lever arm on opposite side of valve as shown at right. Add suffix -005 for left-hand option. Add suffix -004 for optional screen.



3in. AIR / FLANGED



4in. CABLE / FLANGED

See Section 30 Page 9B for parts list.

Size	Assembly No.	Air/Cable	Outlet	Wt.	Dimensions		Inlet Flange		Outlet Flange	
					A	B	B.C.	Holes	B.C.	Holes
3"	EV46110SSTS	Air	3" Flg	15.5	3.50"	4.50"	6.25"	6-9/16	4.88"	8-7/16
	EV46097SSTS	Cable	3" Flg	13.2						
4"	EV46227SSTS	Air	4" Flg	26.5	4.38"	5.00"	7.25"	8-9/16	5.88"	8-7/16
	EV46242SSTS	Cable	4" Flg	24.2						

Force rating from TTMA RP86: 3" Valves: $F_{b-max}=27,300$ lb. 4" Valves: $F_{b-max}=35,100$ lb.

CAUTION: Never bottom load through emergency valves without first opening valve. Failure to do so may result in damage to the tank and/or valve.

Emergency Valve

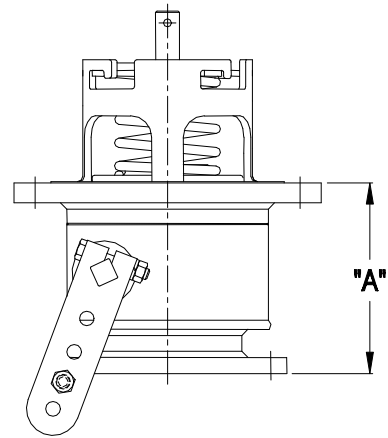
Stainless Steel

STRAIGHT

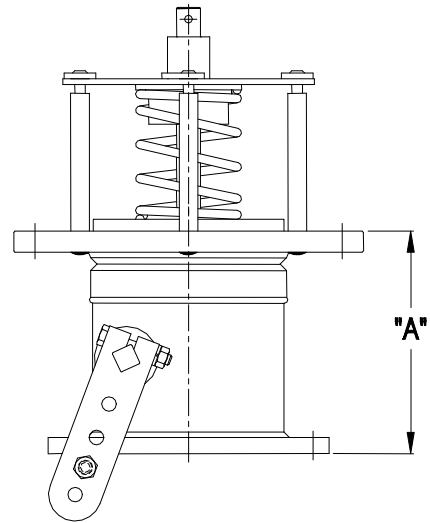
- Cable Operated
- Tapered Seat
- Teflon Encapsulated Seals

Betts Stainless Steel Emergency Valves are equipped with Teflon encapsulated O-ring seals which are compatible with a wide range of products. The tapered seat is self-cleaning to lessen the possibility of seat damage due to foreign objects. The stuffing box features two O-ring seals to provide positive sealing.

Left-hand valves are available with the cable lever arm on opposite side of valve as shown at right. Add suffix – 005 for left-hand option. Add suffix –004 for optional screen.



3in. CABLE / FLANGED



4in. CABLE / FLANGED

See Section 30 Page 9B for parts list.

Size	Assembly No.	Air/Cable	Outlet	Wt.	Dimensions	Inlet Flange		Outlet Flange	
					A	B.C.	Holes	B.C.	Holes
3"	Not Available	Air	3" Flg	N.A.	4.50"	6.25"	6-9/16	4.88"	8-7/16
	EV46326SSTS	Cable	3" Flg	13.0					
4"	Not Available	Air	4" Flg	N.A.	5.25"	7.25"	8-9/16	5.88"	8-7/16
	EV46629SSTS	Cable	4" Flg	15.7					

Force rating from TTMA RP86: 3" Valves: $F_{b-max}=21,000$ lb. 4" Valves: $F_{b-max}=8,500$ lb.

CAUTION: Never bottom load through emergency valves without first opening valve. Failure to do so may result in damage to the tank and/or valve.

Emergency Valve

Aluminum Flat Seat Style

90° ELBOW

- Air or Cable Operated
- Groove or Flange Outlet
- Buna Urethane or Viton Seals

Betts flat seat style emergency valves combine Betts quality with an economical design. Valves feature aluminum construction with a specially designed seat disc to provide positive sealing. Shear section tested per TTMA RP84 and meets 49CFR178.345-8.

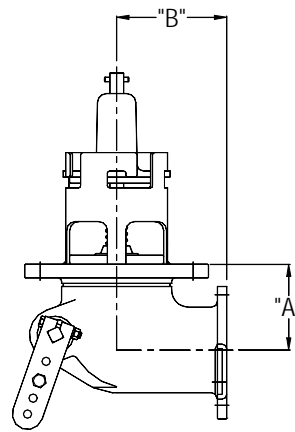
Air operated valves are provided with an external air cylinder to help prevent gasoline or other products from contaminating the air supply. The air cylinder is hard-coated aluminum with a polished stainless steel shaft. Cylinders have 1/8" NPT port for air connection and are supplied with a fusible plug installed.

Cable operated valves are supplied with a universal lever arm which provides up to 8 cable travel options to work with most operators. Lever arm is "E" Coated to provide exceptional corrosion resistance.

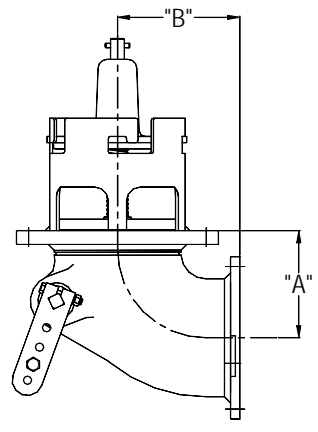
Left-hand valves are available with air cylinder or cable lever arm on opposite side of valve as shown at right. Add suffix -005 for left-hand option. Add suffix -004 for optional screen.

4" Valves are available with Stainless Trim, add suffix 010.

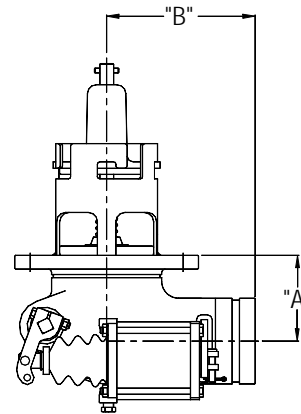
See section 30 Page 10A for parts list.



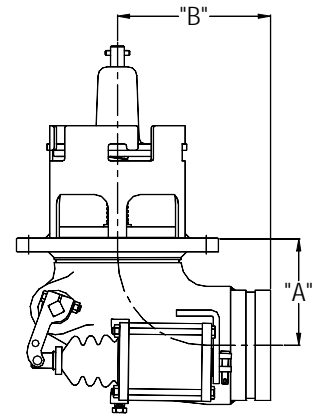
3in. CABLE / FLANGED



4in. CABLE / FLANGED



3in. AIR / GROOVED



4in. AIR / GROOVED

Size	*Assembly No.	Air/Cable	Outlet	Wt.	Dimensions		Inlet Flange		Outlet Flange	
					A	B	B.C.	Holes	B.C.	Holes
3"	EV46672ALB	Air	3" Grv	10.5	3.50"	6.06"	6.25"	6-9/16	N.A.	N.A.
	EV46673ALB	Cable	3" Grv	8.2						
	EV46670ALB	Air	3" Flg	10.5	3.50"	4.50"	6.25"	6-9/16	4.88"	8-7/16
	EV46671ALB	Cable	3" Flg	8.2						
4"	EV46435ALB	Air	4" Grv	12.7	4.38"	6.25"	7.25"	8-9/16	N.A.	N.A.
	EV46398ALB	Cable	4" Grv	10.4						
	EV46428ALB	Air	4" Flg	12.7	4.38"	5.00"	7.25"	8-9/16	5.88"	8-7/16
	EV46399ALB	Cable	4" Flg	10.4						

*Specify Viton seals by substituting "V" for "B" in Assembly Number.

Force rating from TTMA RP86: 3" Valves: $F_{b-max} = 21,035$ lb.

4" Valves: $F_{b-max} = 15,500$ lb.

CAUTION: Never bottom load through emergency valves without first opening valve. Failure to do so may result in damage to the tank and/or valve.

Emergency Valve

Aluminum Flat Seat Style

- Air or Cable Operated
- Groove or Flange Outlet
- Buna Urethane or Viton Seals

Betts flat seat style emergency valves combine Betts quality with an economical design. Valves feature aluminum construction with a specially designed seat disc to provide positive sealing. Shear section tested per TTMA RP84 and meets 49CFR178.345-8.

Air operated valves are provided with an external air cylinder to help prevent gasoline or other products from contaminating the air supply. The air cylinder is hard-coated aluminum with a polished stainless steel shaft. Cylinders have 1/8" NPT port for air connection and are supplied with a fusible plug installed.

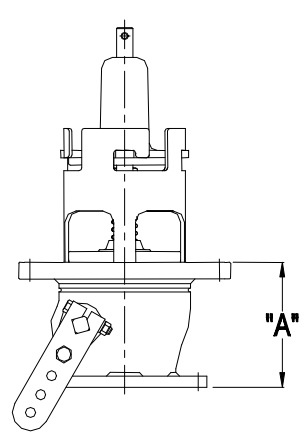
Cable operated valves are supplied with a universal lever arm which provides up to 8 cable travel options to work with most operators. Lever arm is "E" Coated to provide exceptional corrosion resistance.

Left-hand valves are available with air cylinder or cable lever arm on opposite side of valve as shown at right. Add suffix -005 for left-hand option. Add suffix -004 for optional screen.

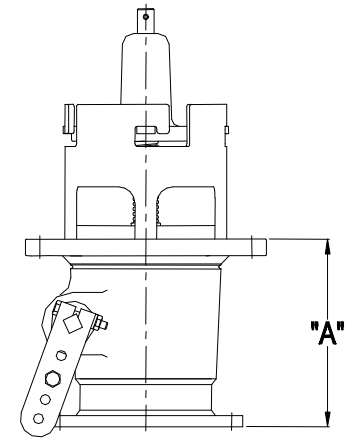
4" Valves are available with Stainless Trim, add suffix 010.

See section 30 Page 10A for parts list.

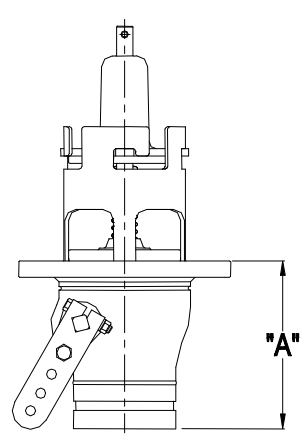
STRAIGHT



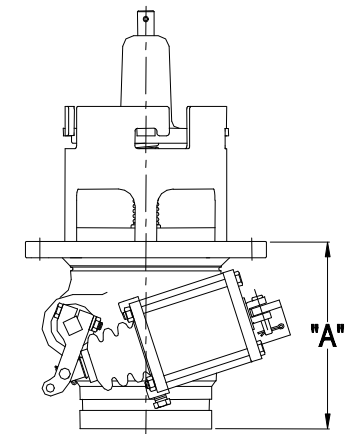
3in. CABLE / FLANGED



4in. CABLE / FLANGED



3in. CABLE / GROOVED



4in. AIR / GROOVED

Size	*Assembly No.	Air/Cable	Outlet	Wt.	Dimensions		Inlet Flange		Outlet Flange	
					A		B.C.	Holes	B.C.	Holes
3"	Not Available	Air	3" Grv	N.A.	5.71"		6.25"	6-9/16"	N.A.	N.A.
	EV46539ALB	Cable	3" Grv	7.2						
	Not Available	Air	3" Flg	N.A.	4.25"		6.25"	6-9/16"	4.88"	8-7/16"
	EV46540ALB	Cable	3" Flg	7.2						
4"	EV46436ALB	Air	4" Grv	11.1	6.38"		7.25"	8-9/16"	N.A.	N.A.
	EV46423ALB	Cable	4" Grv	8.9						
	EV46544ALB	Air	4" Flg	11.1	6.38"		7.25"	8-9/16"	5.88"	8-7/16"
	EV46543ALB	Cable	4" Flg	8.9						

* Specify Viton seals by substituting "V" for "B" in Assembly Number.

Force rating from TTMA RP86: 3" Valves : F_{b-max} = Grooved 7,469 lb. / Flanged 10,754 lb. 4" Valves : F_{b-max} = 10,000 lb.

CAUTION: Never bottom load through emergency valves without first opening valve. Failure to do so may result in damage to the tank and/or valve.

Emergency Valve

Aluminum Flat Seat Style

TEE

- Air or Cable Operated
- Groove or Flange Outlet
- Buna Urethane or Viton Seals

Betts flat seat style emergency valves combine Betts quality with an economical design. Valves feature aluminum construction with a specially designed seat disc to provide positive sealing. Shear section tested per TTMA RP84 and meets 49CFR178.345-8.

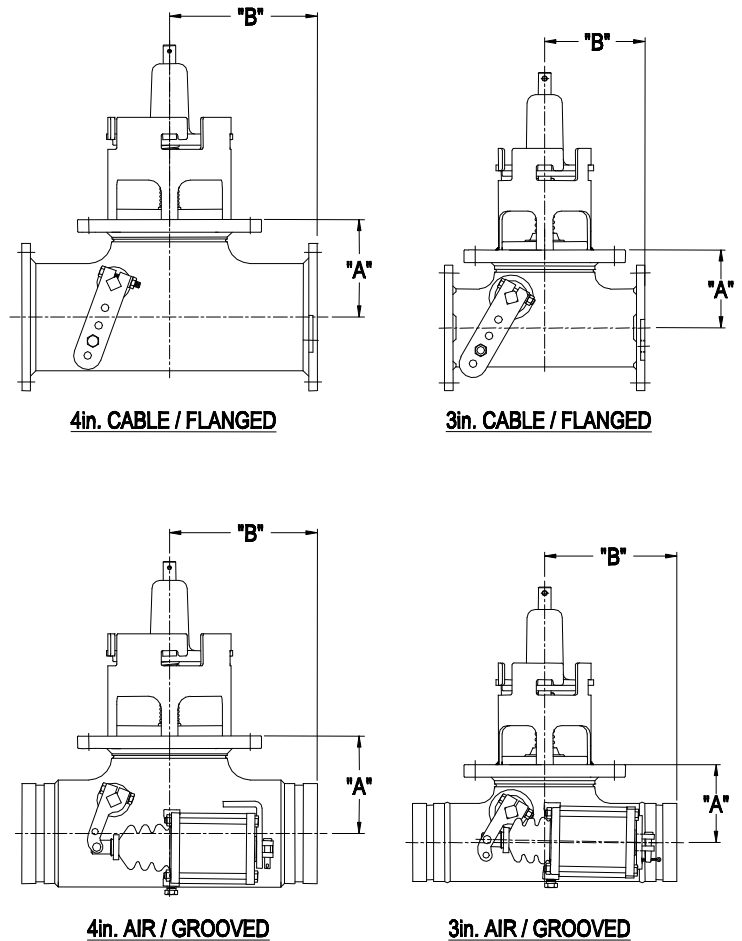
Air operated valves are provided with an external air cylinder to help prevent gasoline or other products from contaminating the air supply. The air cylinder is hard-coated aluminum with a polished stainless steel shaft. Cylinders have 1/8" NPT port for air connection and are supplied with a fusible plug installed.

Cable operated valves are supplied with a universal lever arm which provides up to 8 cable travel options to work with most operators. Lever arm is "E" Coated to provide exceptional corrosion resistance.

Left-hand valves are available with air cylinder or cable lever arm on opposite side of valve as shown at right. Add suffix -005 for left-hand option. Add suffix -004 for optional screen.

4" Valves are available with Stainless Trim, add suffix 010.

See Section 30 Page 10A for parts list.



Size	*Assembly No.	Air/Cable	Outlet	Wt.	Dimensions		Inlet Flange		Outlet Flange	
					A	B	B.C.	Holes	B.C.	Holes
3"	EV46536ALB	Air	3" Grv	11.8	3.50"	5.94"	6.25"	6-9/16	N.A.	N.A.
	EV46534ALB	Cable	3" Grv	9.5						
	EV46537ALB	Air	3" Flg	11.8	3.50"	4.50"	6.25"	6-9/16	4.88"	8-7/16
	EV46535ALB	Cable	3" Flg	9.5						
4"	EV46625ALB	Air	4" Grv	12.9	4.38"	6.63"	7.25"	8-9/16	N.A.	N.A.
	EV46623ALB	Cable	4" Grv	10.6						
	EV46626ALB	Air	4" Flg	12.9	4.38"	5.13"	7.25"	8-9/16	5.88"	8-7/16
	EV46624ALB	Cable	4" Flg	10.6						

*Specify Viton seals by substituting "V" for "B" in Assembly Number.

Force rating from TTMA RP86: 3" Valves: $F_{b-max}=15,300$ lb. 4" Valves: $F_{b-max}=15,500$ lb.

CAUTION: Never bottom load through emergency valves without first opening valve. Failure to do so may result in damage to the tank and/or valve.

Emergency Valve

Aluminum Tapered Seat Style

- Air or Cable Operated
- Stainless Trim
- Teflon Encapsulated Seals

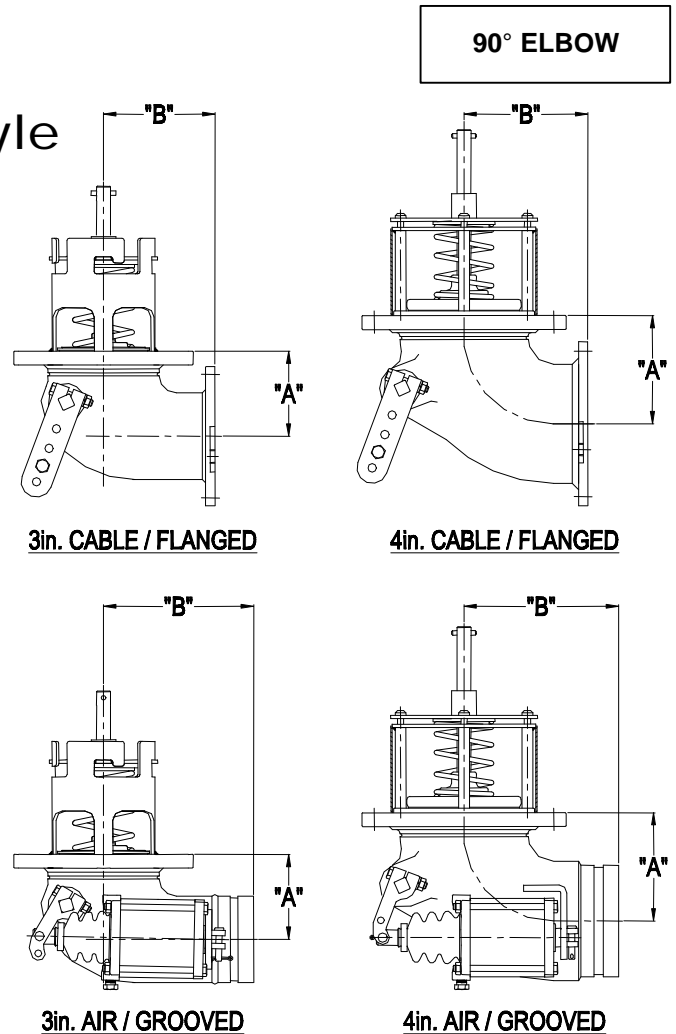
Betts tapered seat emergency valves are designed and manufactured to use Teflon encapsulated seals for compatibility with a wide range of products. Body is constructed of aluminum with stainless steel trim. Shear section tested per TTMA RP84 and meets 49CFR178.345-8.

Air operated valves are provided with an external air cylinder to help prevent gasoline or other products from contaminating the air supply. The air cylinder is hard-coated aluminum with a polished stainless steel shaft. Cylinders have 1/8" NPT port for air connection and are supplied with a fusible plug installed.

Cable operated valves are supplied with a universal lever arm which provides up to 8 cable travel options to work with most operators. Lever arm is "E" Coated to provide exceptional corrosion resistance.

Left-hand valves are available with air cylinder or cable lever arm on opposite side of valve as shown at right. Add suffix -005 for left-hand option. Add suffix -004 for optional screen.

See section 30 Page 10B for 3" parts list; See section 30 Page 11A for 4" parts list



Size	Assembly No.	Air /Cable	Outlet	Wt.	Dimensions		Inlet Flange		Outlet Flange	
					A	B	B.C.	Holes	B.C.	Holes
3"	EV46169ALTS	Air	3" Grv	9.7	3.50"	6.06"	6.25"	6-9/16	N.A.	N.A.
	EV46158ALTS	Cable	3" Grv	7.5						
	EV46152ALTS	Air	3" Flg	9.7	3.50"	4.50"	6.25"	6-9/16	4.88"	8-7/16
	EV46157ALTS	Cable	3" Flg	7.5						
4"	EV46455ALTS	Air	4" Grv	13.5	4.38"	6.25"	7.25"	8-9/16	N.A.	N.A.
	EV46458ALTS	Cable	4" Grv	11.3						
	EV46456ALTS	Air	4- 1/2 " Grv	13.5	4.38"	6.25"	7.25"	8-9/16	N.A.	N.A.
	EV46459ALTS	Cable	4- 1/2 " Grv	11.3						
	EV46454ALTS	Air	4" Flg	13.5	4.38"	5.00"	7.25"	8-9/16	5.88"	8-7/16
	EV46457ALTS	Cable	4" Flg	11.3						

Force rating from TTMA RP86: 3" Valves: F_{b-max}=15,300 lb. 4" Valves: F_{b-max}=24,000 lb.

CAUTION: Never bottom load through emergency valves without first opening valve. Failure to do so may result in damage to the tank and/or valve.

Emergency Valve

Aluminum Tapered Seat Style

STRAIGHT

- Air or Cable Operated
- Stainless Trim
- Teflon Encapsulated Seals

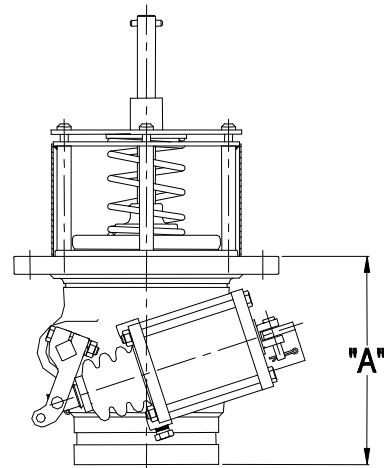
Betts tapered seat emergency valves are designed and manufactured to use Teflon encapsulated seals for compatibility with a wide range of products. Body is constructed of aluminum with stainless steel trim. Shear section tested per TTMA RP84 and meets 49CFR178.345-8.

Air operated valves are provided with an external air cylinder to help prevent gasoline or other products from contaminating the air supply. The air cylinder is hard-coated aluminum with a polished stainless steel shaft. Cylinders have 1/8" NPT port for air connection and are supplied with a fusible plug installed.

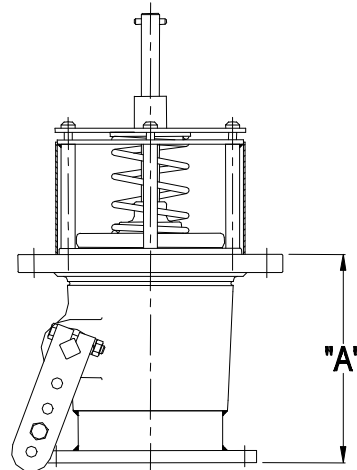
Cable operated valves are supplied with a universal lever arm which provides up to 8 cable travel options to work with most operators. Lever arm is "E" Coated to provide exceptional corrosion resistance.

Left-hand valves are available with air cylinder or cable lever arm on opposite side of valve as shown at right. Add suffix -005 for left-hand option. Add suffix -004 for optional screen.

See section 30 Page 11A for parts list



AIR / GROOVED



CABLE / FLANGED

Size	Assembly No.	Air /Cable	Outlet	Wt.	Dimensions	Inlet Flange		Outlet Flange	
					A	B.C.	Holes	B.C.	Holes
4"	EV46461ALTS	Air	4" Grv	13.5	6.50"	7.25"	8-9/16	N.A.	N.A.
	EV46464ALTS	Cable	4" Grv	10.0					
	EV46462ALTS	Air	4- 1/2" Grv	13.5	6.50"	7.25"	8-9/16	N.A.	N.A.
	EV46465ALTS	Cable	4- 1/2" Grv	10.0					
	EV46460ALTS	Air	4" Flg	13.5	6.50"	7.25"	8-9/16	5.88"	8-7/16
	EV46463ALTS	Cable	4" Flg	10.0					

Force rating from TTMA RP86:

4" Valves: $F_{b-max}=15,000$ lb.

CAUTION: Never bottom load through emergency valves without first opening valve. Failure to do so may result in damage to the tank and/or valve.

Emergency Valve

Aluminum 6" x 4" High Flow

- Air or Cable Operated
- Stainless Trim
- Teflon Encapsulated Seals

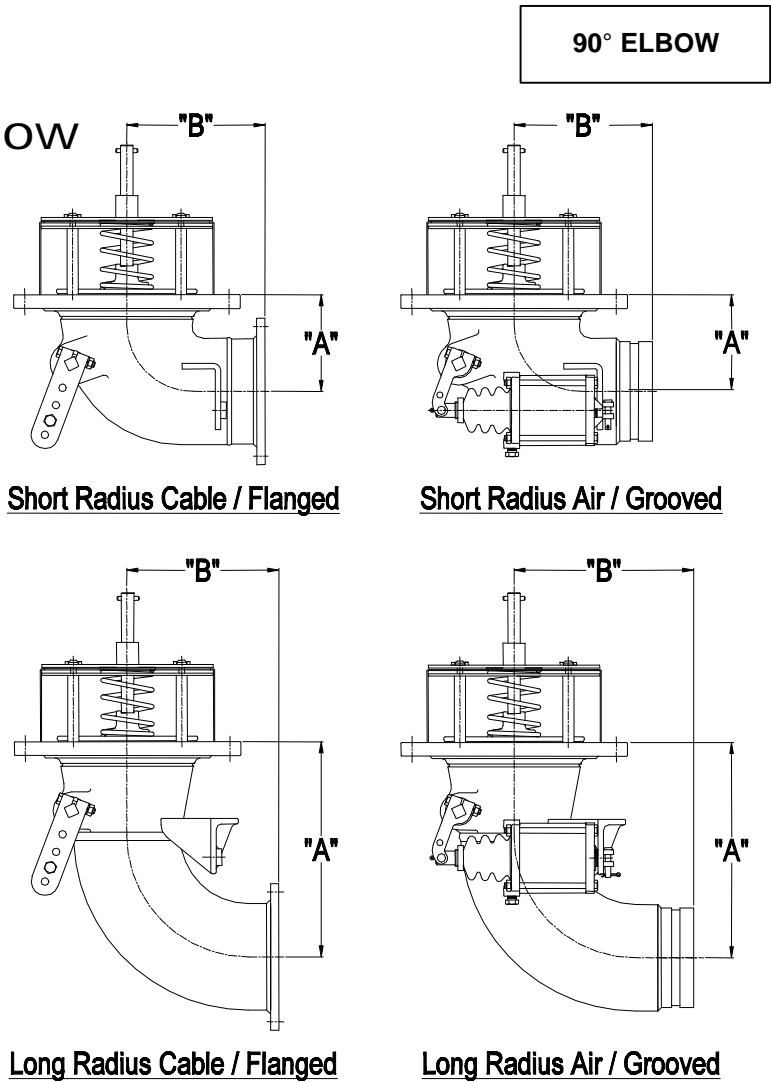
Betts High Flow Emergency valves provide increased flow rates compared to 4" emergency valves. Valves feature Teflon encapsulated seals for compatibility with a wide range of products and a special lift mechanism for smooth operation. Body is constructed of aluminum with stainless steel trim. Shear section tested per TTMA RP84 and meets 49CFR178.345-8.

Air operated valves are provided with an external air cylinder to help prevent gasoline or other products from contaminating the air supply. The air cylinder is hard-coated aluminum with a polished stainless steel shaft. Cylinders have 1/8" NPT port for air connection and are supplied with a fusible plug installed.

Available in Long-Radius and Short-Radius elbows. Use the Long-Radius for maximum flow or use the Short-Radius where clearance for piping is restricted.

Left-hand valves are available with air cylinder or cable lever arm on opposite side of valve as shown at right. Add suffix -005 for left-hand option. Add suffix -004 for optional screen.

See section 30 Page 11A for parts list.



Size	Assembly No.	Air /Cable	Outlet	Wt.	Dimensions		*Inlet Flange		Outlet Flange	
					A	B	B.C.	Holes	B.C.	Holes
6"x4" SHORT RADIUS	EV46467ALTS	Air	4" Grv	16.4	4.38"	6.25"	9.25"	12-9/16	N.A.	N.A.
	EV46470ALTS	Cable	4" Grv	14.2						
	EV46468ALTS	Air	4- 1/2" Grv	16.4	4.38"	6.25"	9.25"	12-9/16	5.88"	8-7/16
	EV46471ALTS	Cable	4- 1/2" Grv	14.2						
	EV46466ALTS	Air	4" Flg	16.4	9.75"	8.13"	9.25"	12-9/16	N.A.	N.A.
	EV46469ALTS	Cable	4" Flg	14.2						
6"x4" LONG RADIUS	EV46473ALTS	Air	4" Grv	18.2	9.75"	8.13"	9.25"	12-9/16	N.A.	N.A.
	EV46476ALTS	Cable	4" Grv	16.0						
	EV46474ALTS	Air	4- 1/2" Grv	18.2	9.75"	8.13"	9.25"	12-9/16	5.88"	8-7/16
	EV46477ALTS	Cable	4- 1/2" Grv	16.0						
	EV46472ALTS	Air	4" Flg	18.2	9.75"	6.75"	9.25"	12-9/16	5.88"	8-7/16
	EV46475ALTS	Cable	4" Flg	16.0						

*NOTE: Valves mount to standard 6" TTMA sump

Force rating from TTMA RP86: Short Radius Valves: $F_{b-max}=35,000$ lb.

Long Radius Valves: $F_{b-max}=13,800$ lb.

CAUTION: Never bottom load through emergency valves without first opening valve. Failure to do so may result in damage to the tank and/or valve.

Emergency Valve

Aluminum 6" x 4" High Flow

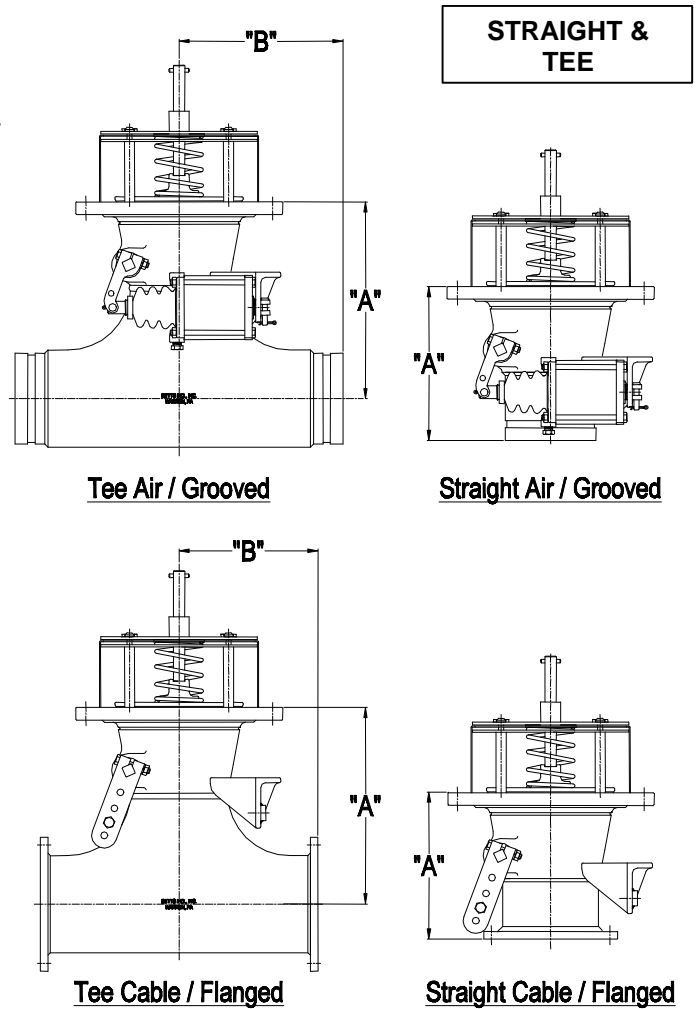
- Air or Cable Operated
- Stainless Trim
- Teflon Encapsulated Seals

Betts High Flow Emergency valves provide increased flow rates compared to 4" emergency valves. Valves feature Teflon encapsulated seals for compatibility with a wide range of products and a special left mechanism for smooth operation. Body is constructed of aluminum with stainless steel trim. Shear section tested per TTMA RP84 and meets 49CFR178.345-8.

Air operated valves are provided with an external air cylinder to help prevent gasoline or other products from contaminating the air supply. The air cylinder is hard-coated aluminum with a polished stainless steel shaft. Cylinders have 1/8" NPT port for air connection and are supplied with a fusible plug installed.

Left-hand valves are available with air cylinder or cable lever arm on opposite side of valve as shown at right. Add suffix -005 for left-hand option. Add suffix -004 for optional screen.

See section 30 page 11A for part list.



Size	Assembly No.	Air /Cable	Outlet	Wt.	Dimensions		*Inlet Flange		Outlet Flange	
					A	B	B.C.	Holes	B.C.	Holes
6"x4" STRAIGHT	EV46479ALTS	Air	4" Grv	16.0	7.63"	N.A.	9.25"	12-9/16	N.A.	N.A.
	EV46482ALTS	Cable	4" Grv	13.8						
	EV46480ALTS	Air	4- 1/2 " Grv	16.0	8.38"	N.A.	9.25"	12-9/16	N.A.	N.A.
	EV46483ALTS	Cable	4- 1/2 " Grv	13.8	7.63"					
	EV46478ALTS	Air	4" Flg	16.0	7.25"	N.A.	9.25"	12-9/16	5.88"	8-7/16
	EV46481ALTS	Cable	4" Flg	13.8						
6"x4" TEE	EV46485ALTS	Air	4" Grv	20.8	9.75"	8.13"	9.25"	12-9/16	N.A.	N.A.
	EV46488ALTS	Cable	4" Grv	18.6						
	EV46486ALTS	Air	4- 1/2 " Grv	20.8	9.75"	8.13"	9.25"	12-9/16	N.A.	N.A.
	EV46489ALTS	Cable	4- 1/2 " Grv	18.6						
	EV46484ALTS	Air	4" Flg	20.8	9.75"	6.75"	9.25"	12-9/16	5.88"	8-7/16
	EV46487ALTS	Cable	4" Flg	18.6						

*NOTE: Valves mount to standard 6" TTMA sump

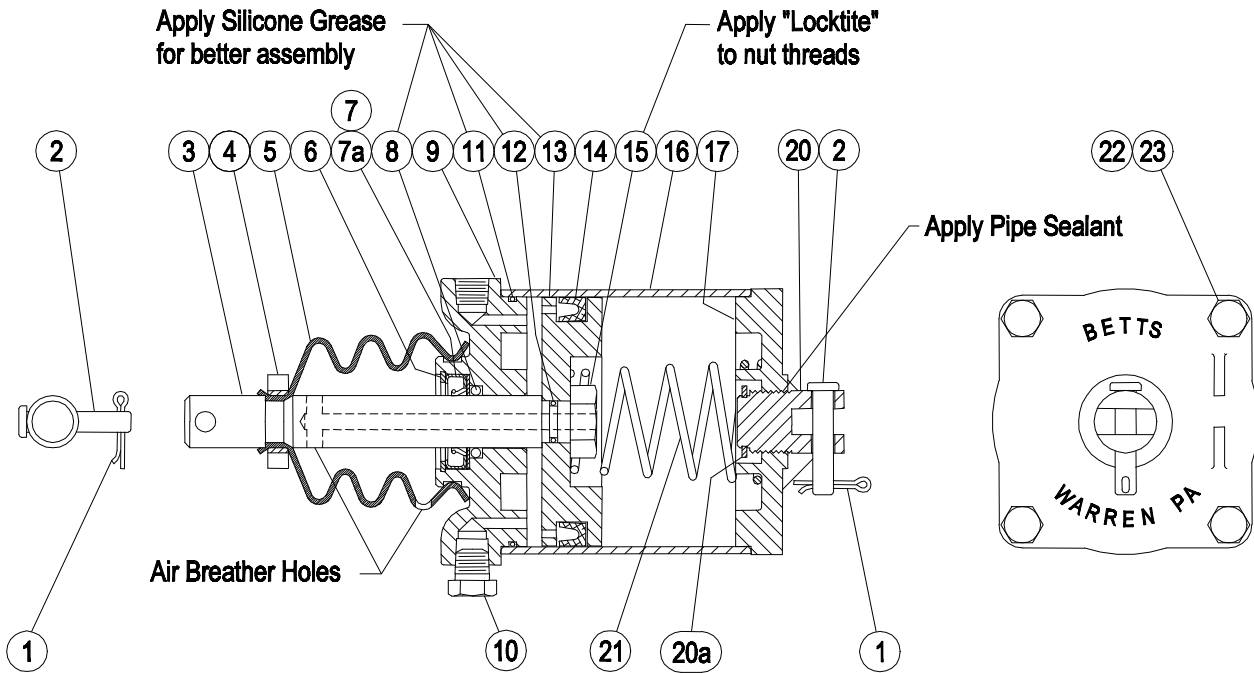
Force rating from TTMA RP86: Straight Valves: $F_{b-max}=18,300$ lb. Tee Valves: $F_{b-max}=13,800$ lb.

CAUTION: Never bottom load through emergency valves without first opening valve. Failure to do so may result in damage to the tank and/or valve.

PARTS LIST

Air Cylinder

AC35005ALB



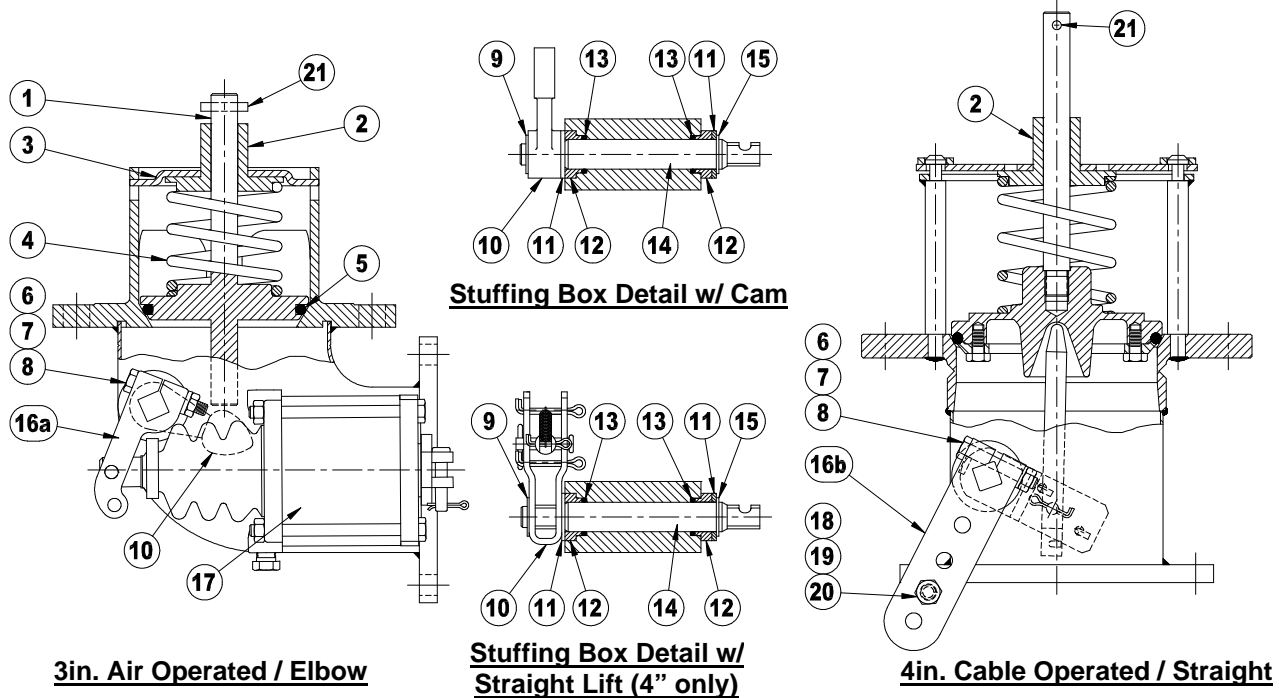
REBUILD KIT AC19307BN - Includes Items 3, 4, 5, 7, 7a, 8, 11, 12, 14, 20, and 21
 REPAIR KIT AC18674BN - Includes Items 4, 5, 6, 7, 7a, 8, 11, 12, and 14

NO.	REQ.	DESCRIPTION	MATERIAL	PART NO.
1	2	Cotter Pin 3/32 X 3/4"	Brass	9Q5865
2	2	Clevis Pin	Steel Zinc Plt.	9Q4728
3	1	Shaft	Stnls 304	17661SL
4	1	Boot Retainer	Delrin	17952DL
5	1	Boot	Neoprene	17777NE
6	1	Retaining Ring	Steel - Zinc Plt.	9Q4967
7	1	Wiper Seal	Steel - Phosphate Coated	19085PA
7a	1	Spacer	Teflon	19057TF
8	1	O-Ring Shaft Seal	Buna-N	18066BN
9	1	End Plate	Aluminum	17880AL
10	1	Fusible Plug	Brass	FP15003BR
11	1	O-Ring - End Plate	Buna-N	17666BN
12	1	O-Ring - Shaft	Buna-N	17781BN
13	1	Piston	Aluminum	17660AL
14	1	Piston Seal	Buna-N (special low temp.)	17669BN
15	1	Hex Half Nut 1/2-20 Thd.	Steel - Zinc Plt.	9Q5910
16	1	Cylinder	Aluminum	17659AL
17	1	Mounting End Plate	Aluminum	17881AL
20	1	Clevis	Steel - Black Epoxy Coated	19060EY
20a	1	Clevis Retaining Ring	Stnls. 316	9Q4970
21	1	Spring	Steel - Black Epoxy Coated	18742EY
22	4	Locknut 1/4-28 Thd.	Steel - Zinc Plt.	9Q5807
23	4	Bolt 1/4-28 X 4"	Steel - Zinc Plt.	9Q1270

PARTS LIST

Emergency Valve

Stainless Steel



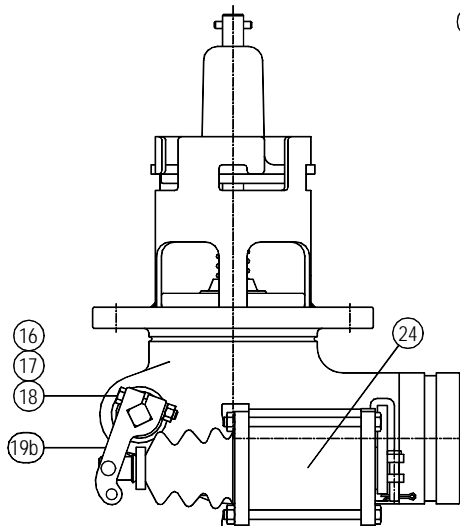
NO.	REQ.	DESCRIPTION	MATERIAL	PART NO.	
				3" VALVE	4" VALVE
1	1	Stem & O-Ring Holder	Stnls 316	18119SS	28141SS001
1a	1	O-Ring Retainer	Stnls 316	N.A.	27443SS
1b	4	Cap Screw ¼ -28 x ½	Stnls 316	N.A.	9Q4174
2	1	Shaft guide	Stnls 316	75310SS	75310SS
3	1	Bonnet	Stnls 316	17888SS	27017SS
4	1	Spring	Stnls 316	17884SS	18222SS
5	1	Seat O-Ring	Tef-Sil	17890TS	19033TS
6	1	Cap Screw ¼-20UNC x 1-½"	Steel – Zinc Plt.	9Q5947	9Q5947
7	1	Lockwasher ¼"	Steel – Zinc Plt.	9Q5845	9Q5844
8	1	Hex Nut ¼-20UNC	Steel – Zinc Plt.	9Q5806	9Q5806
9	1	Cam Retaining Ring	Stnls 316	9Q4933	9Q4933
10	1	Cam	Stnls 316	15086SS	N.A.
10a	1	Straight Lift Assembly	Stnls 316	N.A.	28137SS
11	2	Washer	Teflon	15432TF	15432TF
12	2	Retaining Sleeve	Stnls 316	18467SS	18467SS
13	2	Cam Shaft O-Ring	Tef-Sil	17946TS	17946TS
14	1	Cam Shaft	Stnls 316	18469SS	18469SS
15	1	Spacer Sleeve Retaining Ring	Stnls 316	9Q4970	9Q4970
16a	1	Lever Arm – Air Cylinder	Steel – Plt.	18366EY	18705MS
16b	1	Lever Arm – Cable	Steel – "E" Coated	10587EY	10587EY
17	1	Air Cylinder	Aluminum/Buna	AC35005ALB	AC35005ALB
18	1	Bolt 5/16-18UNC x 1" lg.	Steel – Zinc Plt.	9Q5829	9Q5829
19	1	Lockwasher 5/16"	Steel – Zinc Plt.	9Q5847	9Q5847
20	1	Hex Nut 5/16-18UNC Thd.	Steel – Zinc Plt.	9Q5808	9Q5808
21	1	Bail Pin 3/16 x 1" lg.	Stnls 316	9Q5901	9Q5901
22	1	Stuffing Box Boot	Neoprene	19937NE	19937NE
23	1	Cable Tie	Nylon	9W3384	9W3384

N.A. Not Applicable

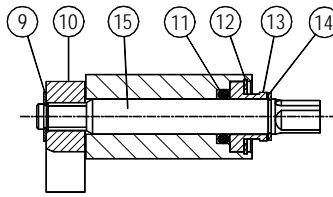
PARTS LIST

Emergency Valve

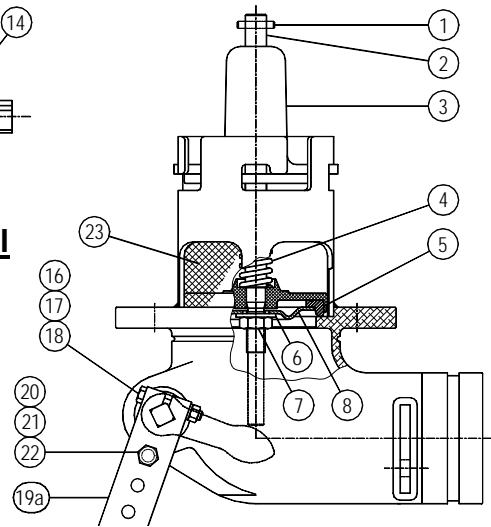
3" & 4" Flat Seat Aluminum



Air Operated



Stuffing Box Detail



Cable Operated

NO.	REQ.	DESCRIPTION	MATERIAL	PART NO.	
				3" VALVE	4" VALVE
1	1	Bail Pin 3/16 Dia. X 1"	Stnls 18-8	9Q5901	9Q5901
2	1	Stem & Disc Holder Assembly	Alum./Steel Zinc Plt.	**27773ZA ***27517ZA	17991CA / *17991SA
3	1	Bonnet	Aluminum	25074AL	25248AL
4	1	Spring	Steel "E" Coated	15196EY	15196EY/ *15196SS
5	1	Disc	Buna Urethane	19018BU	19017BU
			Viton	19018VT	19017VT
6	1	Lockwasher 1/2" external tooth	Stnls 410	9Q5916	9Q5918/ *9Q5916
7	1	Hex Nut 1/2-20UNF Thd.	Stnls 18-8	9Q5909	9Q5909
8	1	Disc Retainer Plate	Aluminum	15006AL	15051AL
9	1	Cam Retaining Ring	Stnls 316	9Q4933	9Q4933
10	1	Cam	Steel	19022MS	19022MS/ *19022SS
11	1	O-Ring (Cam Shaft)	Buna-N	19082BN	19082BN
			Viton	19082VT	19082VT
12	1	Retaining Ring-Gland	Stnls 316	9Q4968	9Q4968
13	1	Retaining Gland	Aluminum	19081AL	19081AL
14	1	Retaining Ring - Cam shaft	Stnls 316	9Q4970	9Q4970
15	1	Cam Shaft	Steel	27332ZC	27332ZC/ *27332SS
16	1	Bolt 1/4-20UNC x 1.75" lg.	Steel Zinc Plt.	9Q5825	9Q5825
17	1	Lockwasher 1/4"	Steel Zinc Plt.	9Q5845	9Q5845
18	1	Hex Nut 1/4-20UNC Thd	Steel Zinc Plt.	9Q5806	9Q5806
19a	1	Lever Arm - Cable	Steel "E" Coated	10587EY	10587EY
19b	1	Lever Arm - Air	Steel "E" Coated	18366EY	18366EY
20	1	Bolt 5/16-18UNC x 1" lg.	Steel Zinc Plt.	9Q5829	9Q5829
21	1	Lockwasher 5/16"	Steel Zinc Plt.	9Q5847	9Q5847
22	1	Hex Nut 5/16-18UNC Thd	Steel Zinc Plt.	9Q5808	9Q5808
23	1	Screen - Optional	Stnls 304	17644SL	17645SL
24	1	Air Cylinder Assembly	Aluminum	AC35005ALB	AC35005ALB

* Indicates Part No. for Valves with Stainless Trim

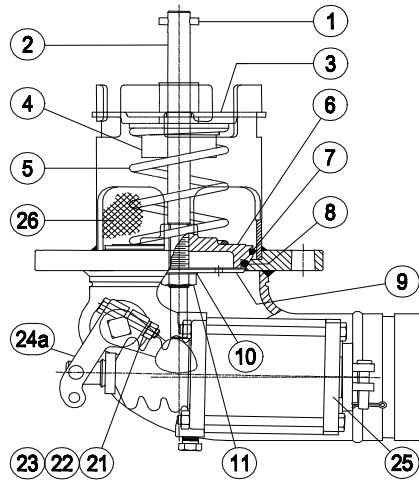
** Indicates Part No. for 90 Deg. Elbow

*** Indicates Part No. for Straight & Tee

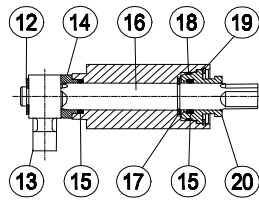
PARTS LIST

Emergency Valve

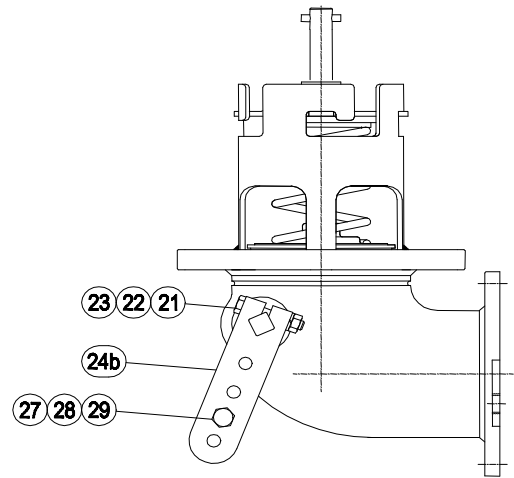
3" Tapered Seat Aluminum



Air Operated



Stuffing Box Detail



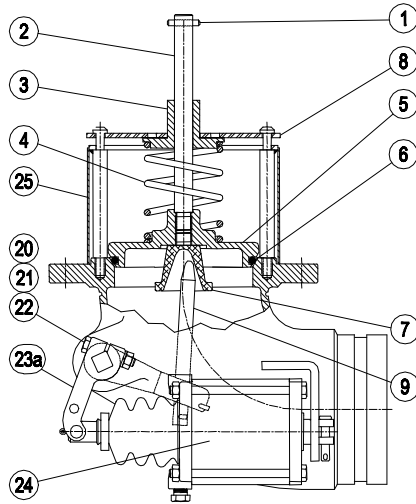
Cable Operated

NO.	REQ.	DESCRIPTION	MATERIAL	PART NO.
1	1	Bail Pin 3/16 dia. X 1"	Stnls 18-8	9Q5901
2	1	Stem	Stnls 316	26886SS
3	1	Bonnet	Stnls 316	18770SS
4	1	Spring Washer & Shaft Guide	Teflon W/Glass	18881TG
5	1	Spring	Stnls 316	18222SS
6	1	O-Ring Holder	Aluminum	18768AL
7	1	Guide Ring	Teflon	18283TF
8	1	O-Ring Seat	Viton	18098VT
			Tef - Sil	18098TS
9	1	Retainer Plate	Aluminum	18769AL
10	1	Lockwasher 1/2" external Tooth	Stnls 410	9Q5916
11	1	Hex Half Nut 1/2-20UNF	Stnls 304	9Q5909
12	1	Retaining Ring - Cam	Stnls 410	9Q4933
13	1	Cam	Stnls 316	19021SS
14	1	Retainer Sleeve	Teflon W/Glass	18467TG
15	2	O-Ring Cam Shaft	Viton	17946VT
			Tef-Sil	17946TS
16	1	Cam Shaft	Stnls 316	27340SS
17	1	Retaining Ring - Cam Shaft	Stnls 316	9Q4970
18	1	O-Ring Gland	Viton	17945VT
			Tef-Sil	17945TS
19	1	Retaining Ring - Gland	Stnls 316	9Q4968
20	1	Gland	Aluminum	17821AL
21	1	Bolt 1/4-20UNC x 1.50 lg.	Steel - Zinc Plt.	9Q5947
22	1	Lockwasher 1/4"	Steel - Zinc Plt.	9Q5845
23	1	Hex Nut 1/4-20UNC	Steel - Zinc Plt.	9Q5806
24a	1	Lever Arm - Air	Steel "E" Coated	18366EY
24b	1	Lever Arm - Cable	Steel "E" Coated	10587EY
25	1	Air Cylinder Assembly	Aluminum	AC35005ALB
26	1	Screen - Optional	Stnls 304	17644SL
27	1	Bolt 5/16-18UNC - 1" lg.	Steel - Zinc Plt.	9Q5829
28	1	Lockwasher 5/16"	Steel - Zinc Plt.	9Q5845
29	1	Hex Nut 5/16-18UNC Thd.	Steel - Zinc Plt.	9Q5808

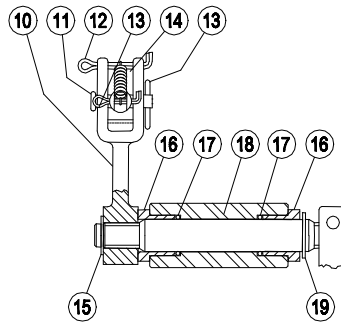
PARTS LIST

Emergency Valve

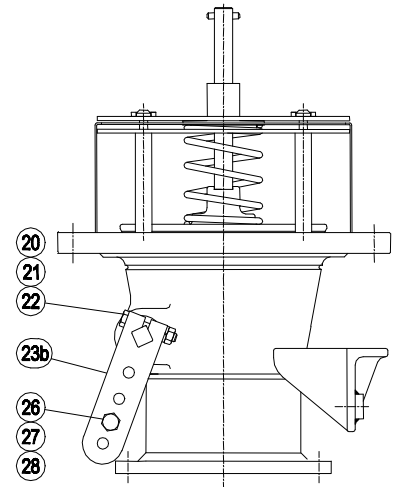
Tapered Seat 4" & 6"x4"



Air Operated



Stuffing Box Detail



Cable Operated

NO.	REQ.	DESCRIPTION	MATERIAL	PART NO.	
				4" VALVE	6"x 4" VALVE
1	1	Bail Pin 3/16 dia. X 1"	Stnls 18-8	9Q5901	9Q5901
2	1	Stem	Stnls 316	27415SS	27415SS
3	1	Spring Washer & Shaft Guide	Teflon W/Glass	19180TG	19180TG
4	1	Spring	Stnls 316	18222SS	18222SS
5	1	O-Ring Holder	Aluminum	27413AL	27412AL
6	1	O-Ring Seat	Tef - Sil	19028TS	18872TS
7	1	Lift Cup	Stnls 316	19178SS	19178SS
8	1	Bonnet Plate	Stnls 316	27017SS	27184SL
9	1	Lift Stem	Stnls 316	19179SS	19179SS
10	1	Lift Arm	Stnls 316	27414SS	27414SS
11	1	Clevis Pin 1/4 x 1-1/8	Stnls 303	9Q4727	9Q4727
12	1	Cotter Pin 1/8 x 1-1/4	Stnls 316	9Q4939	9Q4939
13	2	Cotter Pin 3/32 x 1-3/4	Stnls 304	9Q5866	9Q5866
14	1	Lift Spring	Stnls 302	19183SL	19183SL
15	1	Retaining Ring - Cam Shaft	Stnls	9Q4933	9Q4933
16	2	Spacer Sleeve	Teflon W/Glass	19034TG	19034TG
17	2	O-Ring Cam Shaft	Tef-Sil	17946TS	17946TS
18	1	Cam Shaft	Stnls 316	27332SS	27332SS
19	1	Retaining Ring - Cam Shaft	Stnls	9Q4970	9Q4970
20	1	Bolt 1/4-20UNC x 1.50 lg.	Steel - Zinc Plt.	9Q5947	9Q5947
21	1	Lockwasher 1/4"	Steel - Zinc Plt.	9Q5845	9Q5845
22	1	Hex Nut 1/4-20UNC	Steel - Zinc Plt.	9Q5806	9Q5806
23a	1	Lever Arm - Air	Steel "E" Coated	18366EY	18366EY
23b	1	Lever Arm - Cable	Steel "E" Coated	10587EY	10587EY
24	1	Air Cylinder Assembly	Aluminum/Buna	AC35005ALB	AC35005ALB
25	1	Screen - Optional	Stnls 304	18969SL	18935SL
26	1	Bolt 5/16-18UNC x 1 lg.	Steel - Zinc Plt.	9Q5829	9Q5829
27	1	Lockwasher 5/16"	Steel - Zinc Plt.	9Q5847	9Q5847
28	1	Hex Nut 5/16-18UNC Thd.	Steel - Zinc Plt.	9Q5808	9Q5808

WARNING Use only genuine BETTS INDUSTRIES INC. replacement parts. Use of substitute parts can impair the proper functioning of this product.

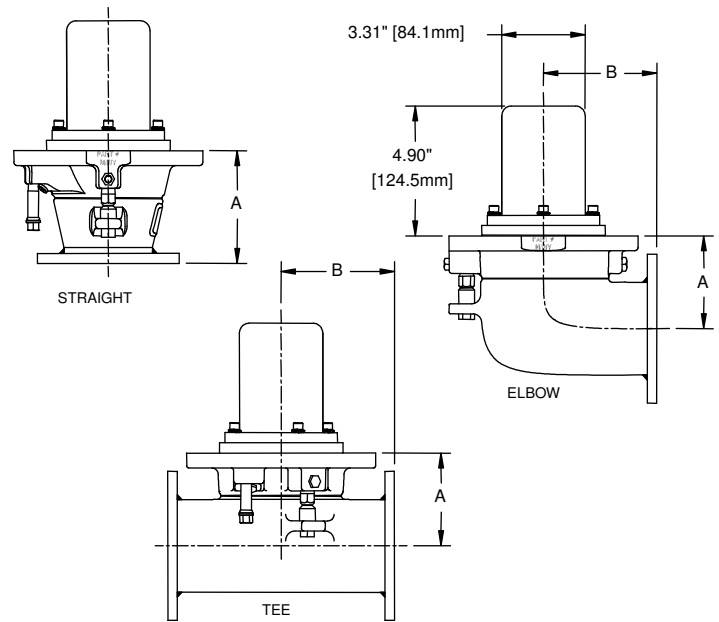
Emergency Valve

INTERNAL AIR

3" Aluminum Internal Air w/ 3" Air Cylinder

Betts internal air emergency valve meets HM183 requirements for an internal self-closing stop valve. Body is constructed of aluminum and incorporates a shear section that satisfies 49CFR178.345-8 tested per TTMA RP 84. The 1/8" NPT air inlet is designed to shear and close the valve in the event of an under-ride accident. A fusible plug is installed to dump air pressure if temperatures exceed 212°F.† Valve uses Teflon® encapsulated seals for compatibility with a wide range of products. Other seal options are also available. Internal air cylinder saves space on exterior of valve providing maximum clearance for piping. Valve is equipped with stainless steel jackscrew that allows for manual operation in the event of an air system failure.

The Maximum Operating Pressure is defined as the maximum tank pressure that valve can open against w/ given air line pressure. Maximum Operating Pressure is 25 psi with 80 psi line pressure and 35 psi with 100 psi line pressure. The Valve MAWP is 35 psi [2.4 bar] and the Minimum Bursting Pressure is 140 psi [9.7 bar].



See section 30 Page 12B for 3" parts list.

Size	Assembly No.	Inlet Flange (3" Sump)		Outlet (3" TTMA)		Dimensions		Wt.	F _{b-max} Per TTMA RP86
		B.C	6 Holes	B.C.	8 Holes	A	B		
3" Straight Grooved	EV46964AL**	6.25" [159 mm]	.563" Dia. [14.3 mm]	3" GROOVED O.D. 3.5" [88.9 mm]		5.71" [145 mm]	N.A.	7.3 lb. [3.3 kg]	25,800 lb. [11,702 kg]
3" Straight Flanged	EV46967AL**			4.88" [124 mm]	.438" Dia. [11.1 mm]	4.25" [108 mm]	N.A.	7.5 lb. [3.4 kg]	
3" Elbow Grooved	EV46934AL**	6.25" [159 mm]	.563" Dia. [14.3 mm]	3" GROOVED O.D. 3.5" [88.9 mm]		3.50" [88.9 mm]	6.06" [153.9 mm]	8.1 lb. [3.67 kg]	50,400 lb. [22,861 kg]
3" Elbow Flanged	EV46947AL**			4.88" [124 mm]	.438" Dia. [11.1 mm]	3.50" [88.9 mm]	4.50" [114.3 mm]	8.3 lb. [3.76 kg]	
3" Tee Grooved	EV46980AL**	6.25" [159 mm]	.563" Dia. [14.3 mm]	3" GROOVED O.D. 3.5" [88.9 mm]		3.50" [88.9 mm]	5.94" [150.9 mm]	8.8 lb. [3.99 kg]	36,200 lb [16,420 kg]
3" Tee Flanged	EV46981AL**			4.88" [124 mm]	.438" Dia. [11.1 mm]	3.50" [88.9 mm]	4.50" [114.3 mm]	9.2 lb. [4.17 kg]	

* Values shown are test values. Actual values may vary due to service conditions.

** Last two letters of part number designate seal material. See material table at right for seal options.

† Fusible plug melts at 212°F [100°C]. If valve is subject to higher temperatures, the fusible plug must be relocated to isolate fusible from heat.

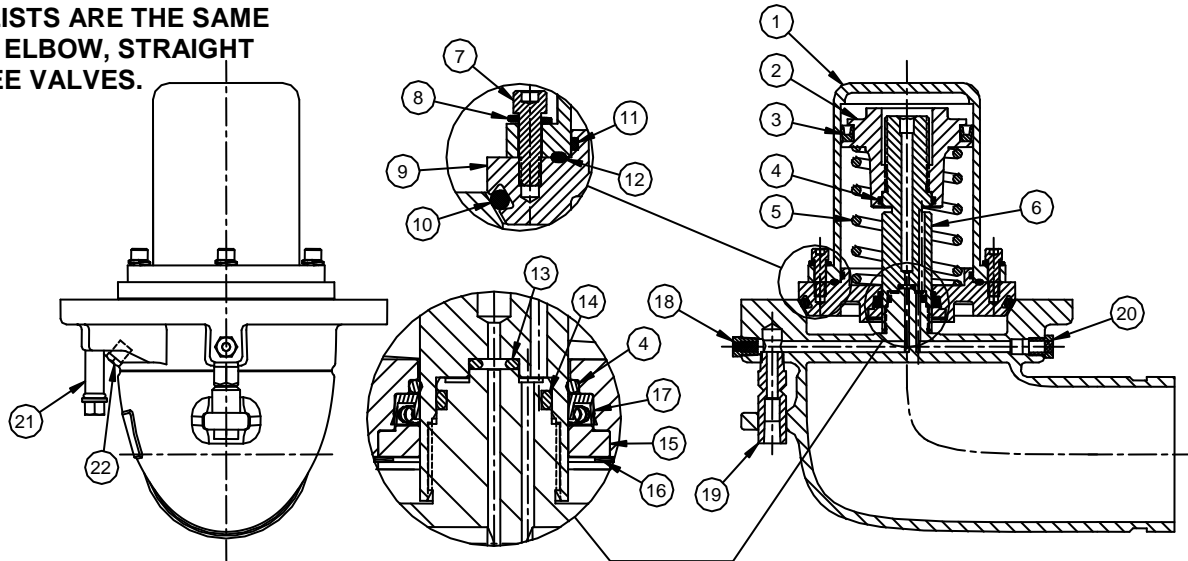
CAUTION: Valve must be properly installed and maintained. Never bottom load through emergency valve without first opening valve. Failure to do so may result in damage to the tank and/or valve.

Part # Suffix	Description	Valve Temp. Range *
TS	Teflon® product contact seals, nitrile interior seals, and polyurethane air piston seal.	-40°F to +220°F [-40°C to 104°C]
TS030	Teflon® product contact seals, FKM "A" interior seals.	5°F to +400°F [-15°C to 204°C]
TS038	Teflon® product contact seals, fluorosilicone interior seals, and polyurethane air piston seal.	-50°F to +220°F [-45°C to 104°C]
VB	FKM "BLT" product contact seals w/ polyurethane air piston seal.	-20°F to +220°F [-29°C to 104°C]
VF	FKM "GFLT-s" product contact seals w/ polyurethane air piston seal.	-20°F to +220°F [-29°C to 104°C]

Parts List

3" Internal Air Aluminum Emergency Valve w/ 3" Air Cylinder

GROOVED ELBOW SHOWN.
PART LISTS ARE THE SAME
FOR 3" ELBOW, STRAIGHT
AND TEE VALVES.



No.	Description	Req.	Material	Part No.
1	3" Air Cylinder	1	Alum. (356-T6)	36001AL
2	3" Piston	1	Alum. (319)	75092AL
3	3" U-Cup Seal	1	Polyurethane	75564PY
4	Piston/Shaft O-Ring	2	Nitrile	17669BN
			FKM "A"	17669VT
			Nitrile	3357BN
			FKM "A"	3357VT
			FKM "BLT"	3357VB
5	Spring	1	FKM "GFLT-s"	3357VF
			Fluorosilicone	3357FS
			Steel (E-Coated)	18222EY
6	Air Supply Shaft	1	Alum. Anodized	75090AL
7	Cap Screw	4	18-8 SS	9Q5822
8	Lock Washer	4	304 SS	9Q5844
9	3" O-Ring Holder	1	Alum. (319)	35914AL
10	3" Main Seat O-Ring	1	Tef-Sil	17944TS
			Nitrile	17944BN
			FKM "A"	17944VT
			FKM "BLT"	17944VB
			FKM "GFLT-s"	17944VF
11	O-Ring 3" Air Cylinder Bore	1	Nitrile	75097BN
			FKM "A"	75097VT
			FKM "BLT"	75097VB
			FKM "GFLT-s"	75097VF
			Fluorosilicone	75097FS

No.	Description	Req.	Material	Part No.
12	O-Ring 3" Face	1	Tef-Sil	75410TS
13	O-Ring Air Inlet Shaft	1	Nitrile	75159BN
			FKM "A"	75159VT
			FKM "BLT"	75159VB
			FKM "GFLT-s"	75159VF
14	O-Ring Air Inlet Shaft Bore	1	Fluorosilicone	75159FS
			Nitrile	75096BN
			FKM "A"	75096VT
			FKM "BLT"	75096VB
15*	Bearing Ring Elevated-Temp. Valve	1	FKM "GFLT-s"	75096VF
			Fluorosilicone	75096FS
			Graphite-PTFE	75656TR
16	Retaining Ring	1	302 SS	9Q4993
17*	Shaft U-Cup Seal	1	PTFE/301 SS	75210SSTF
	Shaft U-cup Seal Elevated-Temp. Valve			75430SLTP
18	Fusible Plug	1	Brass/Solder	FP15003BR
19	Air Inlet Frangible	1	Aluminum	75108AL
20	Breather Plug	1	Steel (Nic. Plt.)	9Z4895
21	Jack Screw	1	303 SS/Nitrile	75141SLBN
22	1/8" NPT Plug	1	316 SS	9V4921

* 75210SSTF and 75656TR must be used in standard and low-temperature (suffix 038) valves. 75430SLTP and 75656TR001 must be used in elevated-temperature (suffix 030) valves.

Seal Kit # EV75435ALTS includes: (12) 75410TS, (17) 75210SSTF, (3) 75564PY, (4) 3357BN -2, (11) 75097BN, (13) 75159BN, (14) 75096BN, (15) 75656TR, (16) 9Q4993, & 75100AL (not shown).

Seal Kit # EV75435ALTS038 (low temp.) includes: (12) 75410TS, (17) 75210SSTF, (2) 75092AL, (3) 75564PY, (4) 3357FS -2, (11) 75097FS, (13) 75159FS, (14) 75096FS, (15) 75656TR, (16) 9Q4993, & 75100AL (not shown).

Seal Kit # EV75435ALTS030 (elevated temp.) includes: (12) 75410TS, (17) 75430SLTP, (3) 17669VT, (4) 3357VT -2, (11) 75097VT, (13) 75159VT, (14) 75096VT, (15) 75656TR001, (16) 9Q4993, & 75100AL (not shown).

WARNING: Use only genuine BETTS INDUSTRIES INC. replacement parts. Substitute parts can impair the proper function of this product.

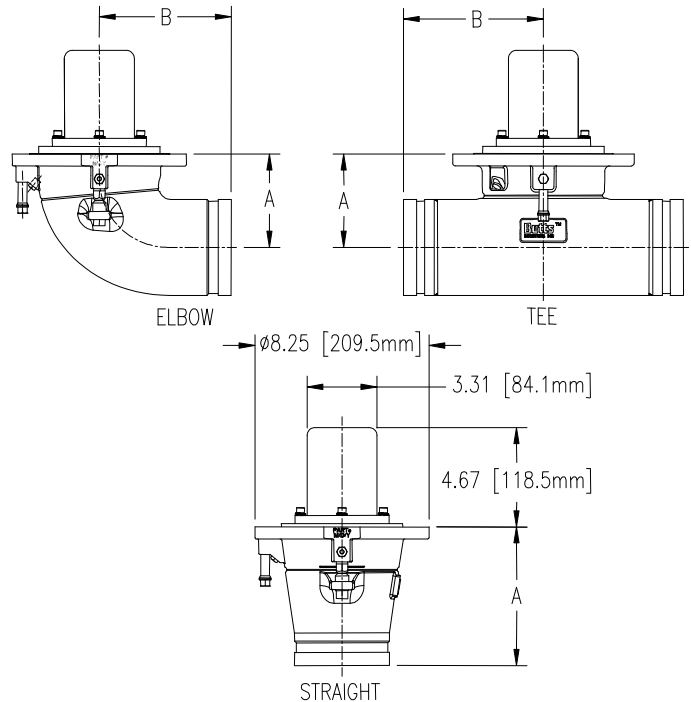
Emergency Valve

INTERNAL AIR

4" Aluminum Internal Air w/ 3" Air Cylinder

Betts internal air emergency valve meets HM183 requirements for an internal self-closing stop valve. Body is constructed of aluminum and incorporates a shear section that satisfies 49CFR178.345-8 tested per TTMA RP 84. The 1/8" NPT air inlet is designed to shear and close the valve in the event of an under-ride accident. A fusible plug is installed to dump air pressure if temperatures exceed 212°F.†† Valve uses Teflon® encapsulated seals for compatibility with a wide range of products. Other seal options are also available. Internal air cylinder saves space on exterior of valve providing maximum clearance for piping. Valve is equipped with stainless steel jackscrew that allows for manual operation in the event of an air system failure.

The Maximum Operating Pressure is defined as the maximum tank pressure that valve can open against w/ given air line pressure. Maximum Operating Pressure is 18 psi with 80 psi line pressure and 25 psi with 100 psi line pressure. The Valve MAWP is 35 psi [2.4 bar] and the Minimum Bursting Pressure is 140 psi [9.7 bar].



See section 30 Page 13B for 4" parts list.

Size	Assembly No.	Inlet Flange (4" Sump)		Outlet (4" TTMA)		Dimensions		Wt.	F _{b-max} Per TTMA RP86
		B.C.	8 Holes	B.C.	8 Holes	A	B		
4" Straight Grooved	EV46909AL**	7.25" [184 mm]	.563" Dia. [14.3 mm]	4" GROOVED O.D. 4.5" [114.3 mm]		6.50" [165 mm]	N.A.	8.0 lb. [3.6 kg]	24,000 lb. [10,886 kg]
4" Straight Flanged	EV46910AL**			5.88" [149 mm]	.438" Dia. [11.1 mm]	6.50" [165 mm]	N.A.	8.5 lb. [3.9 kg]	
4" Elbow Grooved	EV46911AL**	7.25" [184 mm]	.563" Dia. [14.3 mm]	4" GROOVED O.D. 4.5" [114.3 mm]		4.38" [111.3 mm]	6.25" [158.8 mm]	8.7 lb. [4.0 kg]	44,400 lb. [20,140 kg]
4" Elbow Flanged	EV46912AL**			5.88" [149 mm]	.438" Dia. [11.1 mm]	4.38" [111.3 mm]	5.00" [127.0 mm]	9.0 lb. [4.1 kg]	
4" Tee Grooved	EV46991AL**	7.25" [184 mm]	.563" Dia. [14.3 mm]	4" GROOVED O.D. 4.5" [114.3 mm]		4.38" [111.3 mm]	6.63" [168.4 mm]	10.5 lb. [4.8 kg]	32,000 lb. [14,515 kg]
4" Tee Flanged	EV46992AL**			5.88" [149 mm]	.438" Dia. [11.1 mm]	4.38" [111.3 mm]	5.13" [130.3 mm]	10.8 lb. [4.9 kg]	

* Values shown are test values. Actual values may vary due to service conditions.

** Last two letters of part number designate seal material. See material table at right for seal options.

†† Fusible plug melts at 212°F [100°C]. If valve is subject to higher temperatures, the fusible plug must be relocated to isolate fusible from heat.

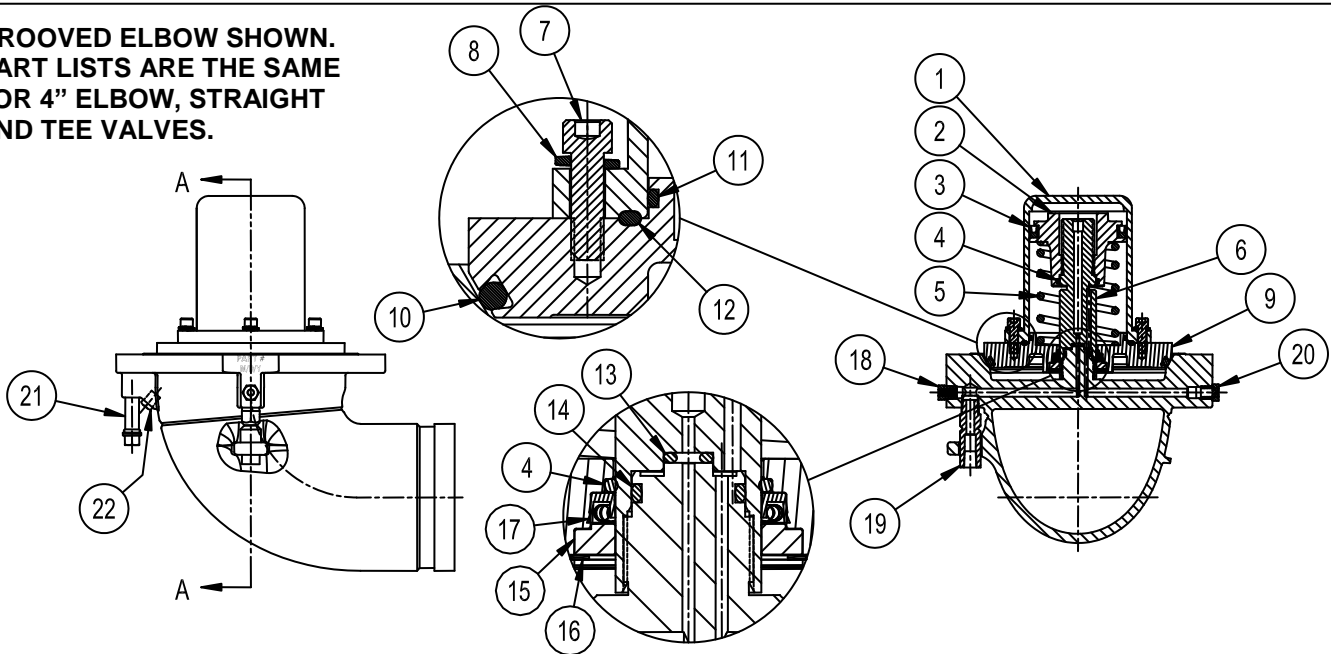
CAUTION: Valve must be properly installed and maintained. Never bottom load through emergency valve without first opening valve. Failure to do so may result in damage to the tank and/or valve.

Part # Suffix	Description	Valve Temp. Range * ††
TS	Teflon product contact seals, nitrile interior seals, and polyurethane air piston seal.	-40°F to +220°F [-40°C to 104°C]
TS030	Teflon product contact seals, FKM "A" interior seals.	5°F to +400°F [-15°C to 204°C]
TS038	Teflon product contact seals, fluorosilicone interior seals, and polyurethane air piston seal.	-50°F to +220°F [-45°C to 104°C]
VB	FKM "BLT" product contact seals w/ polyurethane air piston seal.	-20°F to +220°F [-29°C to 104°C]
VF	FKM "GFLT-s" product contact seals w/ polyurethane air piston seal.	-20°F to +220°F [-29°C to 104°C]

Parts List

4" Internal Air Aluminum Emergency Valve w/ 3" Air Cylinder

GROOVED ELBOW SHOWN.
PART LISTS ARE THE SAME
FOR 4" ELBOW, STRAIGHT
AND TEE VALVES.



No.	Description	Req.	Material	Part No.
1	3" Air Cylinder	1	Alum. (356-T6)	36001AL
2	3" Piston	1	Alum. (319)	75092AL
3	3" U-Cup Seal	1	Polyurethane	75564PY
4	Piston/Shaft O-Ring	2	Nitrile	17669BN
			FKM "A"	17669VT
			Nitrile	3357BN
			FKM "A"	3357VT
			FKM "BLT"	3357VB
5	Spring	1	Steel (E-Coated)	18222EY
			Alum. Anodized	75090AL
			18-8 SS	9Q5822
			304 SS	9Q5844
9	4" O-Ring Holder	1	Alum. (319)	28157AL
10	4" Main Seat O-Ring	1	Tef-Sil	19935TS
			Nitrile	19935BN
			FKM "A"	19935VT
			FKM "BLT"	19935VB
			FKM "GFLT-s"	19935VF
11	O-Ring 3" Air Cylinder Bore	1	Nitrile	75097BN
			FKM "A"	75097VT
			FKM "BLT"	75097VB
			FKM "GFLT-s"	75097VF
			Fluorosilicone	75097FS

No.	Description	Req.	Material	Part No.
12	O-Ring 3" Face	1	Tef-Sil	75410TS
13	O-Ring Air Inlet Shaft	1	Nitrile	75159BN
			FKM "A"	75159VT
			FKM "BLT"	75159VB
			FKM "GFLT-s"	75159VF
14	O-Ring Air Inlet Shaft Bore	1	Fluorosilicone	75159FS
			Nitrile	75096BN
			FKM "A"	75096VT
			FKM "BLT"	75096VB
			FKM "GFLT-s"	75096VF
15*	Bearing Ring	1	Graphite-PTFE	75656TR
	Bearing Ring Elevated-Temp. Valve			75656TR001
16	Retaining Ring	1	302 SS	9Q4993
17*	Shaft U-Cup Seal	1	PTFE/301 SS	75210SSTF
	Shaft U-cup Seal Elevated-Temp Valve			75430SLTP
18	Fusible Plug	1	Brass/Solder	FP15003BR
19	Air Inlet Frangible	1	Aluminum	75108AL
20	Breather Plug	1	Steel (Nic. Plt.)	9Z4895
21	Jack Screw	1	303 SS/Nitrile	75141SLBN
22	1/8" NPT Plug	1	316 SS	9V4921

* 75210SSTF and 75656TR must be used in standard and low-temperature (suffix 038) valves. 75430SLTP and 75656TR001 must be used in elevated-temperature (suffix 030) valves.

Seal Kit # EV75435ALTS includes: (12) 75410TS, (17) 75210SSTF, (3) 75564PY, (4) 3357BN -2, (11) 75097BN, (13) 75159BN, (14) 75096BN, (15) 75656TR, (16) 9Q4993, & 75100AL (not shown).

Seal Kit # EV75435ALTS038 (low temp.) includes: (12) 75410TS, (17) 75210SSTF, (2) 75092AL, (3) 75564PY, (4) 3357FS -2, (11) 75097FS, (13) 75159FS, (14) 75096FS, (15) 75656TR, (16) 9Q4993, & 75100AL (not shown).

Seal Kit # EV75435ALTS030 (elevated temp.) includes: (12) 75410TS, (17) 75430SLTP, (3) 17669VT, (4) 3357VT -2, (11) 75097VT, (13) 75159VT, (14) 75096VT, (15) 75656TR001, (16) 9Q4993, & 75100AL (not shown).

WARNING: Use only genuine BETTS INDUSTRIES INC. replacement parts. Substitute parts can impair the proper function of this product.

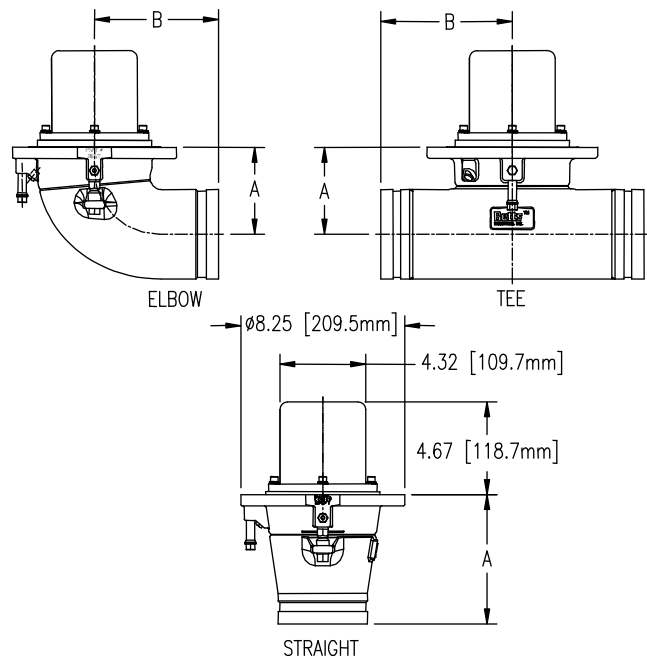
Emergency Valve

INTERNAL AIR

4" Aluminum Internal Air w/ 4" Air Cylinder

Betts internal air emergency valve meets HM183 requirements for an internal self-closing stop valve. Body is constructed of aluminum and incorporates a shear section that satisfies 49CFR178.345-8 tested per TTMA RP 84. The 1/8" NPT air inlet is designed to shear and close the valve in the event of an under-ride accident. A fusible plug is installed to dump air pressure if temperatures exceed 212°F.†† Valve uses Teflon® encapsulated seals for compatibility with a wide range of products. Other seal options are also available. Internal air cylinder saves space on exterior of valve providing maximum clearance for piping. Valve is equipped with stainless steel jackscrew that allows for manual operation in the event of an air system failure.

The Maximum Operating Pressure is defined as the maximum tank pressure that valve can open against w/ given air line pressure. Maximum Operating Pressure is 35 psi with 80 psi line pressure and 45 psi with 100 psi line pressure. The Valve MAWP is 35 psi [2.4 bar] and the Minimum Bursting Pressure is 140 psi [9.7 bar].



See section 30 Page 15B for 4" parts list.

Size	Assembly No.	Inlet Flange (4" Sump)		Outlet (4" TTMA)		Dimensions		Wt.	F _{b-max} Per TTMA RP86
		B.C.	8 Holes	B.C.	8 Holes	A	B		
4" Straight Grooved	EV46919AL**	7.25" [184 mm]	.563" Dia. [14.3 mm]	4" GROOVED O.D. 4.5" [114.3 mm]		6.50" [165 mm]	N.A.	9.9 lb. [3.6 kg]	24,000 lb. [10,886 kg]
4" Straight Flanged	EV46920AL**			5.88" [149 mm]	.438" Dia. [11.1 mm]	6.50" [165 mm]	N.A.	10.4 lb. [3.9 kg]	
4" Elbow Grooved	EV46921AL**	7.25" [184 mm]	.563" Dia. [14.3 mm]	4" GROOVED O.D. 4.5" [114.3 mm]		4.38" [111.3 mm]	6.25" [158.8 mm]	10.6 lb. [4.0 kg]	44,400 lb. [20,140 kg]
4" Elbow Flanged	EV46922AL**			5.88" [149 mm]	.438" Dia. [11.1 mm]	4.38" [111.3 mm]	5.00" [127.0 mm]	10.9 lb. [4.1 kg]	
4" Tee Grooved	EV47226AL**	7.25" [184 mm]	.563" Dia. [14.3 mm]	4" GROOVED O.D. 4.5" [114.3 mm]		4.38" [111.3 mm]	6.63" [168.4 mm]	12.4 lb. [4.8 kg]	32,000 lb. [14,515 kg]
4" Tee Flanged	EV47067AL**			5.88" [149 mm]	.438" Dia. [11.1 mm]	4.38" [111.3 mm]	5.13" [130.3 mm]	12.7 lb. [4.9 kg]	

* Values shown are test values. Actual values may vary due to service conditions.

** Last two letters of part number designate seal material. See material table at right for seal options.

†† Fusible plug melts at 212°F [100°C]. If valve is subject to higher temperatures, the fusible plug must be relocated to isolate fusible from heat.

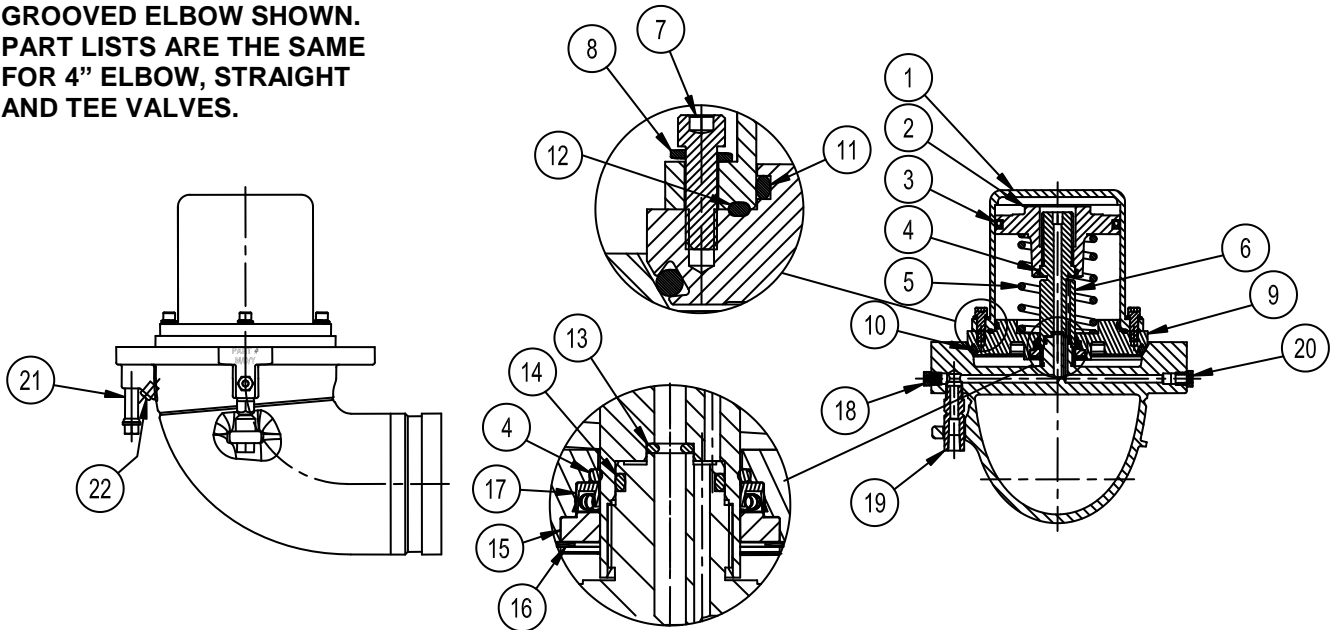
CAUTION: Valve must be properly installed and maintained. Never bottom load through emergency valve without first opening valve. Failure to do so may result in damage to the tank and/or valve.

Part # Suffix	Description	Valve Temp. Range * ††
TS	Teflon product contact seals, nitrile interior seals, and polyurethane air piston seal.	-40°F to +220°F [-40°C to 104°C]
TS030	Teflon product contact seals, FKM "A" interior seals.	5°F to +400°F [-15°C to 204°C]
TS038	Teflon product contact seals, fluorosilicone interior seals, and polyurethane air piston seal.	-50°F to +220°F [-45°C to 104°C]
VB	FKM "BLT" product contact seals w/ polyurethane air piston seal.	-20°F to +220°F [-29°C to 104°C]
VF	FKM "GFLT-s" product contact seals w/ polyurethane air piston seal.	-20°F to +220°F [-29°C to 104°C]

Parts List

4" Internal Air Aluminum Emergency Valve w/ 4" Air Cylinder

GROOVED ELBOW SHOWN.
PART LISTS ARE THE SAME
FOR 4" ELBOW, STRAIGHT
AND TEE VALVES.



No.	Description	Req.	Material	Part No.
1	4" Air Cylinder	1	Alum. (356-T6)	36009AL
2	4" Piston	1	Alum. (319)	28174AL
3	4" U-Cup Seal	1	Polyurethane	75565PY
			Nitrile	75117BN
4	Piston/Shaft O-Ring	2	FKM "A"	75117VT
			Nitrile	3357BN
			FKM "A"	3357VT
			FKM "BLT"	3357VB
			FKM "GFLT-s"	3357VF
5	Spring	1	Steel (E-Coated)	18222EY
			Alum. Anodized	75090AL
6	Air Supply Shaft	1	Alum. Anodized	75090AL
7	Cap Screw	4	18-8 SS	9Q5822
8	Lock Washer	4	304 SS	9Q5844
9	4" O-Ring Holder	1	Alum. (319)	28178AL
10	4" Main Seat O-Ring	1	Tef-Sil	19935TS
			Nitrile	19935BN
			FKM "A"	19935VT
			FKM "BLT"	19935VB
			FKM "GFLT-s"	19935VF
11	O-Ring 4" Air Cylinder Bore	1	Nitrile	18134BN
			FKM "A"	18134VT
			FKM "BLT"	18134VB
			FKM "GFLT-s"	18134VF
			Fluorosilicone	18134FS

No.	Description	Req.	Material	Part No.
12	O-Ring 4" Face	1	Tef-Sil	18989TS
13	O-Ring Air Inlet Shaft	1	Nitrile	75159BN
			FKM "A"	75159VT
			FKM "BLT"	75159VB
			FKM "GFLT-s"	75159VF
			Fluorosilicone	75159FS
14	O-Ring Air Inlet Shaft Bore	1	Nitrile	75096BN
			FKM "A"	75096VT
			FKM "BLT"	75096VB
			FKM "GFLT-s"	75096VF
			Fluorosilicone	75096FS
15*	Bearing Ring	1	Graphite-PTFE	75656TR
	Bearing Ring Elevated-Temp. Valve			75656TR001
16	Retaining Ring	1	302 SS	9Q4993
17*	Shaft U-Cup Seal	1	PTFE/301 SS	75210SSTF
	Shaft U-Cup Seal Elevated-Temp. Valve			75430SLTP
18	Fusible Plug	1	Brass/Solder	FP15003BR
19	Air Inlet Frangible	1	Aluminum	75108AL
20	Breather Plug	1	Steel (Nic. Plt.)	9Z4895
21	Jack Screw	1	303 SS/Nitrile	75141SLBN
22	1/8" NPT Plug	1	316 SS	9V4921

* 75210SSTF and 75656TR must be used in standard and low-temperature (suffix 038) valves. 75430SLTP and 75656TR001 must be used in elevated-temperature (suffix 030) valves.

Seal Kit # EV75450ALTS038 (low temp.) includes : (3) 75565PY, (4) 3357FS -2, (11) 18134FS, (12) 18989TS, (13) 75159FS, (14) 75096FS, (15) 75656TR, (16) 9Q4993, (17) 75210SSTF & 75100AL (not shown).

Seal Kit # EV75450ALTS includes: (3) 75565PY, (4) 3357BN -2, (11) 18134BN, (12) 18989TS, (13) 75159BN, (14) 75096BN, (15) 75656TR, (16) 9Q4993, (17) 75210SSTS & 75100AL (not shown).

Seal Kit # EV75450ALTS030 (elevated temp.) includes : (3) 75117VT, (4) 3357VT -2, (11) 18134VT, (12) 18989TS, (13) 75159VT, (14) 75096VT, (15) 75656TR001, (16) 9Q4993, (17) 75430SLTP & 75100AL (not shown).

WARNING: Use only genuine BETTS INDUSTRIES INC. replacement parts. Substitute parts can impair the proper function of this product.

Emergency Valve

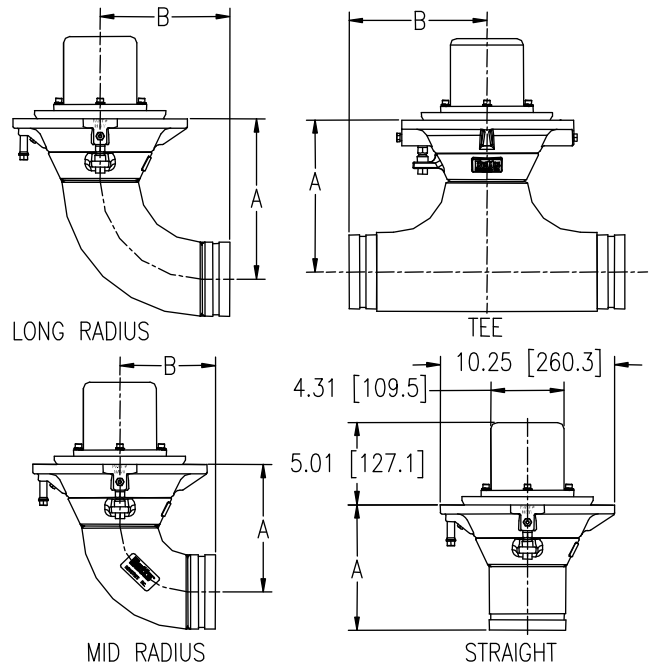
INTERNAL AIR

6" x 4" Aluminum Internal Air w/ 4" Air Cylinder

Betts internal air emergency valve meets HM183 requirements for an internal self-closing stop valve. Body is constructed of aluminum and incorporates a shear section that satisfies 49CFR178.345-8 tested per TTMA RP 84. The 1/8" NPT air inlet is designed to shear and close the valve in the event of an under-ride accident. A fusible plug is installed to dump air pressure if temperatures exceed 212°F.^{††} Valve uses Teflon[®] encapsulated seals for compatibility with a wide range of products. Other seal options are also available. Internal air cylinder saves space on exterior of valve providing maximum clearance for piping. Valve is equipped with stainless steel jackscrew that allows for manual operation in the event of an air system failure.

The Maximum Operating Pressure is defined as the maximum tank pressure that valve can open against w/ given air line pressure. Maximum Operating Pressure is 21 psi with 80 psi line pressure and 25 psi with 100 psi line pressure. The Valve MAWP is 35 psi [2.4 bar] and the Minimum Bursting Pressure is 140 psi [9.7 bar].

See section 30 Page 14B for 6"x4" parts list.



Size	Assembly No.	Inlet Flange (6" Sump)		Outlet (4" TTMA)		Dimensions		Wt.	F _{b-max} Per TTMA RP86
		B.C	12 Holes	B.C.	8 Holes	A	B		
6"x4" Straight Grooved	EV46913ALTS	9.25" [235 mm]	.563" Dia. [14.3 mm]	4" GROOVED O.D. 4.5" [114.3 mm]		7.63" [194 mm]	N.A.	14 lb. [6.4 kg]	22,900 lb. [10,387 kg]
6"x4" Straight Flanged	EV46914ALTS			5.88" [149 mm]	.438" Dia. [11.1 mm]	7.25" [184 mm]	N.A.	14 lb. [6.4 kg]	
6"x4" long Rad. Elbow Grooved	EV46923ALTS	9.25" [235 mm]	.563" Dia. [14.3 mm]	4" GROOVED O.D. 4.5" [114.3 mm]		9.75" [248 mm]	8.13" [207 mm]	16 lb. [7.3 kg]	16,600 lb. [7,530 kg]
6"x4" long Rad. Elbow Flanged	EV46924ALTS			5.88" [149 mm]	.438" Dia. [11.1 mm]	9.75" [248 mm]	6.75" [171 mm]	16 lb. [7.3 kg]	
6"x4" mid Rad. Elbow Grooved	EV46943ALTS	9.25" [235 mm]	.563" Dia. [14.3 mm]	4" GROOVED O.D. 4.5" [114.3 mm]		7.75" [197 mm]	5.62" [143 mm]	15 lb. [6.8 kg]	22,300 lb [10,115 kg]
6"x4" mid Rad. Elbow Flanged	EV46944ALTS			5.88" [149 mm]	.438" Dia. [11.1 mm]	7.75" [197 mm]	6.22" [158 mm]	15 lb. [6.8 kg]	
6"x4" Tee Grooved	EV47224ALTS	9.25" [235 mm]	.563" Dia. [14.3 mm]	4" GROOVED O.D. 4.5" [114.3 mm]		9.21" [233 mm]	8.13" [207 mm]	19 lb. [8.7 kg]	13,900 lb [6,304 kg]
6"x4" Tee Flanged	EV47225ALTS			5.88" [149 mm]	.438" Dia. [11.1 mm]	9.21" [233 mm]	6.87" [175 mm]	19 lb. [8.7 kg]	

* Values shown are test values. Actual values may vary due to service conditions.

** Last two letters of part number designate seal material as shown on table to right.

†† Fusible plug melts at 212°F [100°C]. If valve is subject to higher temperatures, the fusible plug must be relocated to isolate fusible from heat.

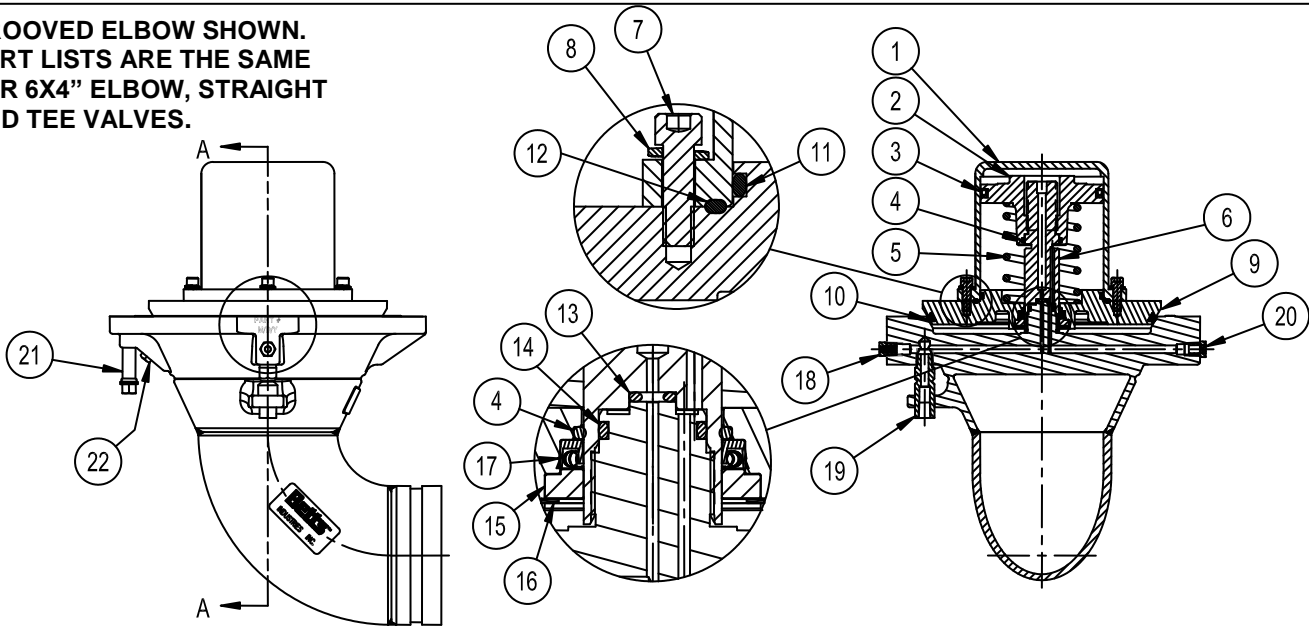
CAUTION: Valve must be properly installed and maintained. Never bottom load through emergency valve without first opening valve. Failure to do so may result in damage to the tank and/or valve.

Part # Suffix	Description	Valve Temp. Range * ††
TS	Teflon product contact seals, nitrile interior seals, and polyurethane air piston seal.	-40°F to +220°F [-40°C to 104°C]
TS030	Teflon product contact seals, FKM "A" interior seals.	5°F to +400°F [-15°C to 204°C]
TS038	Teflon product contact seals, fluorosilicone interior seals, and polyurethane air piston seal.	-50°F to +220°F [-45°C to 104°C]
VB	FKM "BLT" product contact seals w/ polyurethane air piston seal.	-20°F to +220°F [-29°C to 104°C]
VF	FKM "GFLT-s" product contact seals w/ polyurethane air piston seal.	-20°F to +220°F [-29°C to 104°C]

Parts List

6" x 4" Internal Air Aluminum Emergency Valve w/ 4" Air Cylinder

GROOVED ELBOW SHOWN.
PART LISTS ARE THE SAME
FOR 6X4" ELBOW, STRAIGHT
AND TEE VALVES.



No.	Description	Req.	Material	Part No.
1	4" Air Cylinder	1	Alum. (356-T6)	36009AL
2	4" Piston	1	Alum. (319)	28174AL
3	4" U-Cup Seal	1	Polyurethane	75565PY
			FKM "A"	75117VT
4	Piston/Shaft O-Ring	2	Nitrile	3357BN
			FKM "A"	3357VT
			FKM "BLT"	3357VB
			FKM "GFLT-s"	3357VF
			Fluorosilicone	3357FS
5	Spring	1	Steel (E-Coated)	18222EY
6	Air Supply Shaft	1	Alum. Anodized	75090AL
7	Cap Screw	4	304 SS	9Q5822
8	Lock Washer	4	304 SS	9Q5844
9	6" O-Ring Holder	1	Alum. (356-T6)	35927AL
10	Main Seat O-Ring	1	Tef-Sil	75098TS
			Nitrile	75098BN
			FKM "A"	75098VT
11	O-Ring 3" Air Cylinder Bore	1	Nitrile	18134BN
			FKM "A"	18134VT
			FKM "BLT"	18134VB
			FKM "GFLT-s"	18134VF
			Fluorosilicone	18134FS
12	O-Ring 4" Face	1	Tef-Sil	18989TS

No.	Description	Req.	Material	Part No.
			Nitrile	75159BN
			FKM "A"	75159VT
13	O-Ring Air Inlet Shaft	1	FKM "BLT"	75159VB
			FKM "GFLT-s"	75159VF
			Fluorosilicone	75159FS
14	O-Ring Air Inlet Shaft Bore	1	Nitrile	75096BN
			FKM "A"	75096VT
			FKM "BLT"	75096VB
			FKM "GFLT-s"	75096VF
			Fluorosilicone	75096FS
15*	Bearing Ring	1	PTFE-graphite	75656TR
	Bearing Ring Elevated-Temp. Valve			75656TR001
16	Retaining Ring	1	302 SS	9Q4993
17*	Shaft U-Cup Seal	1	PTFE / 301 SS	75210SSTF
	Shaft U-cup Seal Elevated-Temp. Valve			75430SLTP
18	Fusible Plug	1	Brass/Solder	FP15003BR
19	Air Inlet Frangible	1	Aluminum	75108AL
20	Breather Plug	1	Steel (Nic. Plt.)	9Z4895
21	Jack Screw	1	303 SS/Nitrile	75141SLBN
22	1/8" NPT Plug	1	316 SS	9V4921

* 75210SSTF and 75656TR must be used in standard and low-temperature (suffix 038) valves. 75430SLTP and 75656TR001 must be used in elevated-temperature (suffix 030) valves.

Seal Kit # EV75450ALTS038 (low temp.) includes : (3) 75565PY, (4) 3357FS -2, (11) 18134FS, (12) 18989TS, (13) 75159FS, (14) 75096FS, (15) 75656TR, (16) 9Q4993, (17) 75210SSTF & 75100AL (not shown).

Seal Kit # EV75450ALTS includes: (3) 75565PY, (4) 3357BN -2, (11) 18134BN, (12) 18989TS, (13) 75159BN, (14) 75096BN, (15) 75656TR, (16) 9Q4993, (17) 75210SSTF & 75100AL (not shown).

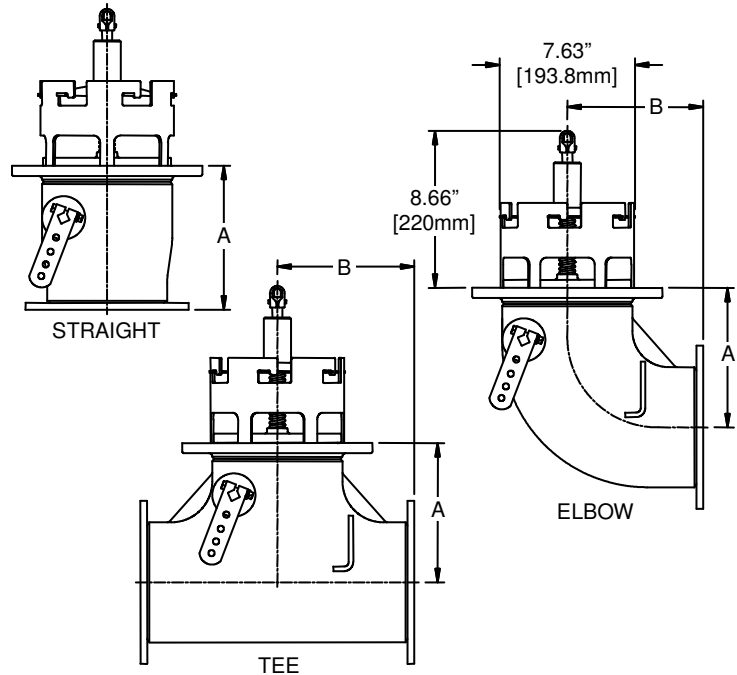
Seal Kit # EV75450ALTS030 (elevated temp.) includes : (3) 75117VT, (4) 3357VT -2, (11) 18134VT, (12) 18989TS, (13) 75159VT, (14) 75096VT, (15) 75656TR001, (16) 9Q4993, (17) 75430SLTP & 75100AL (not shown).

WARNING: Use only genuine BETTS INDUSTRIES INC. replacement parts. Substitute parts can impair the proper function of this product.

Emergency Valve

6" X 6" Cable Operated Aluminum

The 6" Emergency Valve product line offers a lightweight versatile valve capable of handling a wide variety of products. The valve is available in a flanged or grooved outlet with available body configurations of straight, 90° elbow, or tee style. The body is constructed of aluminum and meets 49CFR178.345-8-shear section test per TTMA RP 84. The body, disc holder, and bonnet assembly come standard with a black epoxy e-coat for added corrosion protection. Valves supplied with universal lever arm with multiple mounting holes for versatile cable attachment. See catalog section 28 and 29 for mechanical operators and remote control lever.



See Section 30 Page 25B for 6"x6" parts list

Size	Assembly No.	Inlet Flange		Outlet		Dimensions		Wt. (lbs.)	F _{b-max} Per TTMA RP86	MAWP †
		B.C	Holes	B.C	Holes	A	B			
6 X 6 Straight	EV47055AY*	9.25" [235 mm]	12 Holes .59" Dia. [15 mm]	6" GROOVED		9.38" [238.3 mm]	N.A.	14.5lb. [6.58 kg]	21,690 lb. [9,838 kg]	12 psi (82.7 kPa)
	EV47056AY*	9.25" [235 mm]	12 Holes .59" Dia. [15 mm]	8.13" [206.4 mm]	12 Holes 7/16" Dia. [11.1 mm]	7.94" [201.7 mm]	N.A.	14.5lb. [6.58 kg]		
6 X 6 Elbow	EV47059AY*	9.25" [235 mm]	12 Holes .59" Dia. [15 mm]	6" GROOVED		7.69" [195.3 mm]	8.95" [227.3 mm]	17.3 lb. [7.82 kg]	27,041 lb. [12,265 kg]	
	EV47060AY*	9.25" [235 mm]	12 Holes .59" Dia. [15 mm]	8.13" [206.4 mm]	12 Holes 7/16" Dia. [11.1 mm]	7.69" [195.3 mm]	7.51" [190.8 mm]	17.3 lb. [7.82 kg]		
6 X 6 Tee	EV47063AY*	9.25" [235 mm]	12 Holes .59" Dia. [15 mm]	6" GROOVED		7.69" [195.3 mm]	9.01" [228.9 mm]	19.8 lb. [8.96 kg]	27,041 lb [12,265 kg]	
	EV47064AY*	9.25" [235 mm]	12 Holes .59" Dia. [15 mm]	8.13" [206.4 mm]	12 Holes 7/16" Dia. [11.1 mm]	7.69" [195.3 mm]	7.62" [193.5 mm]	19.8 lb. [8.96 kg]		

* Last letters of part number designate seal material. See material table at right for seal options.

† Valve MAWP rating is based on the maximum internal tank pressure that the valve can be opened against.

‡ Temp. Rating: Valve working temp. is dependant on seal material. See table at right.

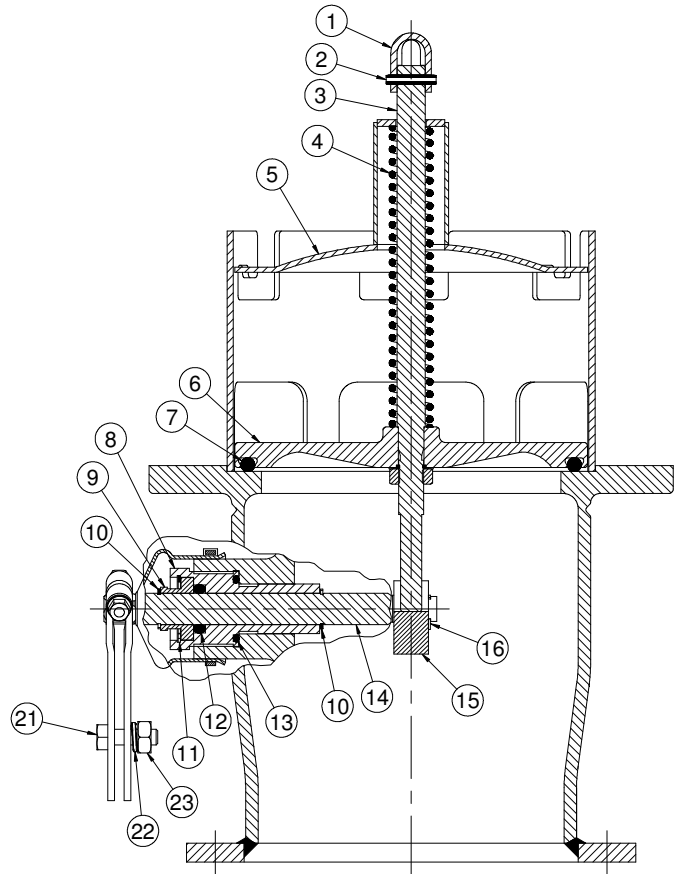
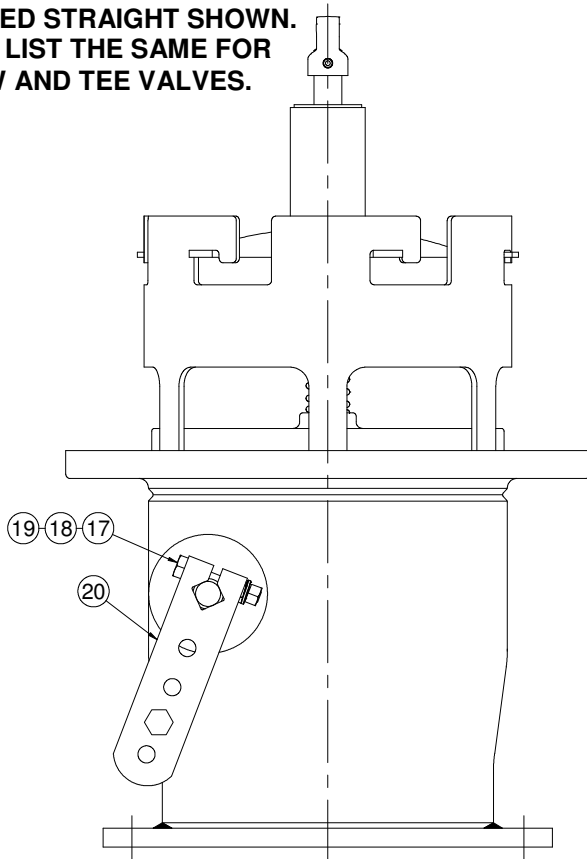
Letter	Mat'l	Temp. Range
BN	Nitrile	-40°F to +220° F [-40°C to 104°C]
VT	FKM	-20°F to +400° F [-29°C to 204°C]
TS	FEP (fluoropolymer) Encapsulated Silicone	-40°F to +400° F [-40°C to 204°C]

CAUTION: Valve must be properly installed and maintained. Never bottom load through emergency valve without first opening valve. Failure to do so may result in damage to the tank and/or valve.

Parts List

6" X 6" Cable Operated Aluminum Emergency Valve

FLANGED STRAIGHT SHOWN.
PARTS LIST THE SAME FOR
ELBOW AND TEE VALVES.



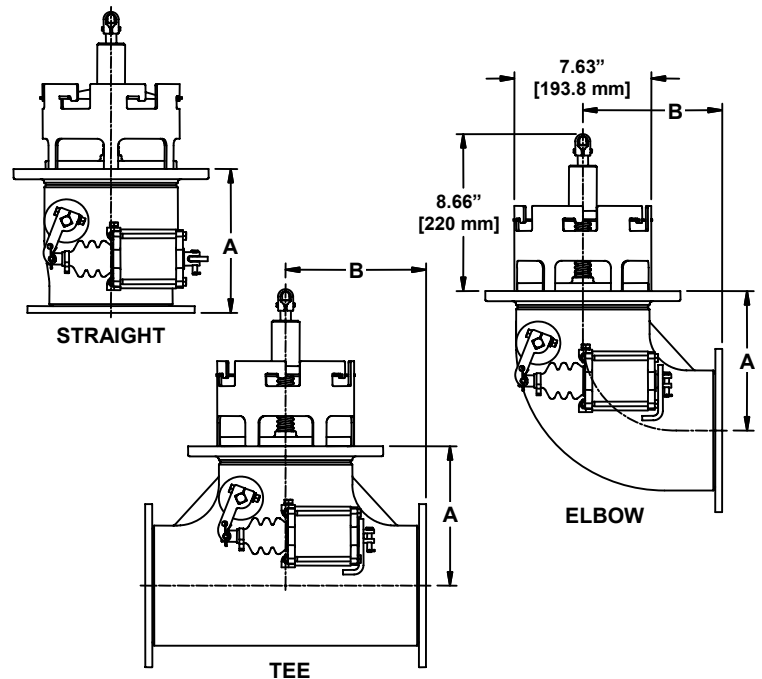
NO.	REQ.	DESCRIPTION	MATERIAL	PART NO.
1	1	6" EV Bail	Aluminum E-Coated	A11129EY
2	1	Bail Pin	Stainless Steel	9Q5901
3	1	Stem	Steel Zinc Plated	27300ZC
4	1	6" Spring	316 Stainless Steel	SS11288H
5	1	6" Bonnet	Aluminum E-Coated	A21006EY
6	1	Disc Holder	Aluminum E-Coated	28367ALEY001
7	1	Seat Seal	Nitrile	75463BN
			FKM	75463VT
			Tef-Sil	75463TS
8	1	Threaded Stuffing Box	Anodized / Aluminum	28359AL
9	1	Stuffing Box Retainer	Aluminum	19081AL
10	2	Retaining Ring	Steel Zinc Plated	9Q4970
11	1	Internal Snap Ring	Stainless Steel	9Q4968
12	1	O-Ring (Cam Shaft)	Nitrile	18824BN
13	1	O-Ring (Stuffing Box)	Nitrile	19082BN
			FKM	19082VT
			Teflon	75483SLTF
14	1	Cam Shaft	316 Stainless Steel	36048SS
15	1	Cam	Coated Steel	19022MS
16	1	E-Clip	Stainless Steel	9Q4933
17	1	1/4-20 Hex Nut	Steel Zinc Plated	9Q5806
18	1	1/4" Lockwasher	Steel Zinc Plated	9Q5845
19	1	1/4-20 UNC x 1.50 Hex Bolt	Steel Zinc Plated	9Q5947
20	1	Universal Lever Arm	Steel E-Coated	10587EY
21	1	5/16-18UNF-1.00 Hex Head Bolt	Steel Zinc Plated	9Q5829
22	1	5/16 Lockwasher	ASA Steel Zinc Plated	9Q5847
23	1	5/16-18 Nut	Steel Zinc Plated	9Q5808

WARNING Use only genuine BETTS INDUSTRIES INC. replacement parts. Substitute parts can impair the proper function of this product.

Emergency Valve

6" X 6" Air Operated Aluminum

The 6" Emergency Valve product line offers a lightweight versatile valve capable of handling a wide variety of products. The valve is available in a flanged or grooved outlet with available body configurations of straight, 90° elbow, or tee style. The body is constructed of aluminum and meets 49CFR178.345-8-shear section test per TTMA RP 84. The body, disc holder, and bonnet assembly come standard with a black epoxy e-coat for added corrosion protection. The air-actuated model includes an external air cylinder with an 1/8" NPT port for the air connection and a fusible plug installed to dump air pressure if temperatures exceed 212°F. ††



See section 30 Page 26B for 6"x6" parts list

Size	Assembly No.	Inlet Flange		Outlet		Dimensions		Wt. (lbs.)	F _{b-max} Per TTMA RP86	MAWP †
		B.C	Holes	B.C.	Holes	A	B			
6 x 6 Straight	EV47057AY*	9.25" [235 mm]	12 Holes .59" Dia. [15 mm]	6" GROOVED		9.38" [238.3 mm]	N.A.	16.9 lb. [7.67 kg]	21,690 lb. [9,838 kg]	12 psi (82.7 kPa)
	EV47058AY*	9.25" [235 mm]	12 Holes .59" Dia. [15 mm]	8.13" [206.4 mm]	12 Holes 7/16" Dia. [11.1 mm]	7.94" [201.7 mm]	N.A.	16.9 lb. [7.67 kg]		
6 x 6 Elbow	EV47061AY*	9.25" [235 mm]	12 Holes .59" Dia. [15 mm]	6" GROOVED		7.69" [195.3 mm]	8.95" [227.3 mm]	19.5 lb. [8.85 kg]	27,041 lb. [12,265 kg]	
	EV47062AY*	9.25" [235 mm]	12 Holes .59" Dia. [15 mm]	8.13" [206.4 mm]	12 Holes 7/16" Dia. [11.1 mm]	7.69" [195.3 mm]	7.51" [190.8 mm]	19.5 lb. [8.85 kg]		
6 x 6 Tee	EV47065AY*	9.25" [235 mm]	12 Holes .59" Dia. [15 mm]	6" GROOVED		7.69" [195.3 mm]	9.01" [228.9 mm]	22.0 lb. [9.98 kg]	27,041 lb [12,265 kg]	
	EV47066AY*	9.25" [235 mm]	12 Holes .59" Dia. [15 mm]	8.13" [206.4 mm]	12 Holes 7/16" Dia. [11.1 mm]	7.69" [195.3 mm]	7.62" [193.5 mm]	22.0 lb. [9.98 kg]		

* Last letters of part number designate seal material. See material table at right for seal options.

† Valve MAWP rating is based on the maximum internal tank pressure that the valve can be opened against. Air operated valves assume airline pressure of 80 PSI [551.6 kPa].

†† **Temp. Rating:** Fusible plug melts at +212°F [100°C]. Valve working temp. is dependant on seal material. See table at right.

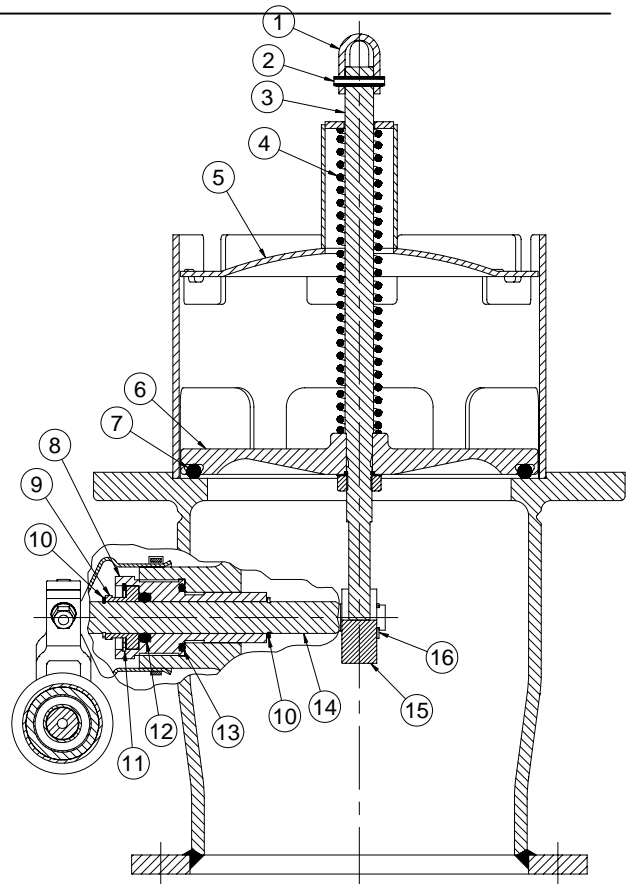
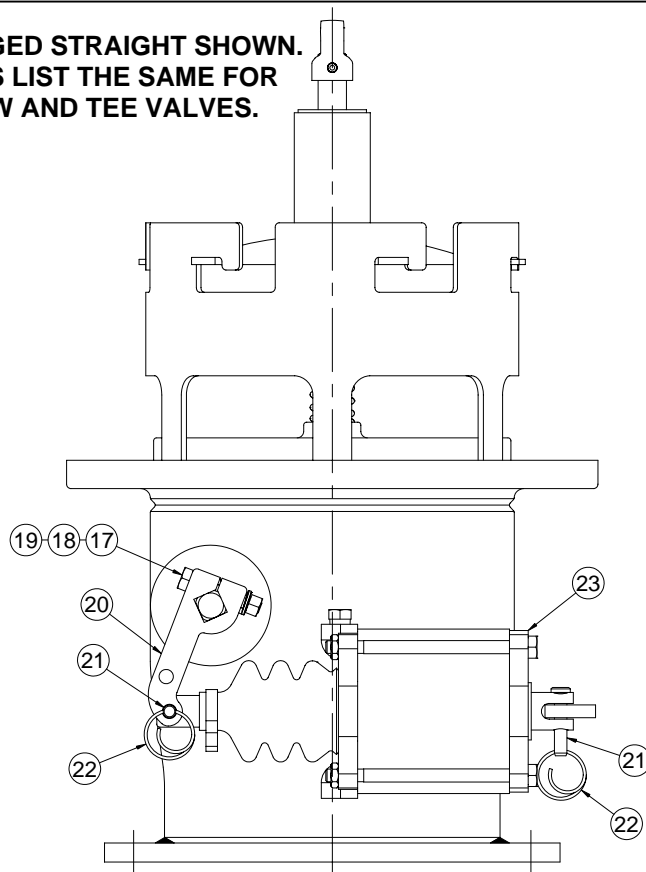
Letter	Material	Temp. Range
BN	Nitrile	-40°F to +220° F [-40°C to 121°C]
VT	FKM	-20°F to +400° F [-29°C to 204°C]
TS	FEP (fluoropolymer) Encapsulated Silicone	-40°F to +400° F [-40°C to 121°C]

CAUTION: Valve must be properly installed and maintained. Never bottom load through emergency valve without first opening valve. Failure to do so may result in damage to the tank and/or valve.

Parts List

6" X 6" Air Operated Aluminum Emergency Valve

FLANGED STRAIGHT SHOWN.
PARTS LIST THE SAME FOR
ELBOW AND TEE VALVES.



NO.	REQ.	DESCRIPTION	MATERIAL	PART NO.
1	1	6" EV Bail	Aluminum E-Coated	A11129EY
2	1	Bail Pin	Stainless Steel	9Q5901
3	1	Stem	Steel Zinc Plated	27300ZC
4	1	6" Spring	316 Stainless Steel	SS11288H
5	1	6" Bonnet	Aluminum E-Coated	A21006EY
6	1	Disc Holder	Aluminum E-Coated	28367ALEY001
7	1	Seat Seal	Nitrile	75463BN
			FKM	75463VT
			Tef-Sil	75463TS
8	1	Threaded Stuffing Box	Anodized / Aluminum	28359AL
9	1	Stuffing Box Retainer	Aluminum	19081AL
10	2	Retaining Ring	Steel Zinc Plated	9Q4970
11	1	Internal Snap Ring	Stainless Steel	9Q4968
12	1	O-Ring (Cam Shaft)	Nitrile	18824BN
13	1	O-Ring (Stuffing Box)	Nitrile	19082BN
			FKM	19082VT
			Teflon	75483SLTF
14	1	Cam Shaft	316 Stainless Steel	36048SS
15	1	Cam	Coated Steel	19022MS
16	1	E-Clip	Stainless Steel	9Q4933
17	1	1/4-20 Hex Nut	Steel Zinc Plated	9Q5806
18	1	1/4" Lockwasher	Steel Zinc Plated	9Q5845
19	1	1/4-20 UNC x 1.50 Hex Bolt	Steel Zinc Plated	9Q5947
20	1	Air EV Handle	E-Coated Gray Iron	18366EY
21	2	1/4 x 1.50 Clevis Pin	Steel Zinc Plated	9Q4728
22	2	Circle Cotter Pin	302 Stainless	9Q5002
23	1	3" Air Cylinder	Aluminum w/ Nitrile Seals	AC35005ALB

WARNING Use only genuine BETTS INDUSTRIES INC. replacement parts. Substitute parts can impair the proper function of this product.